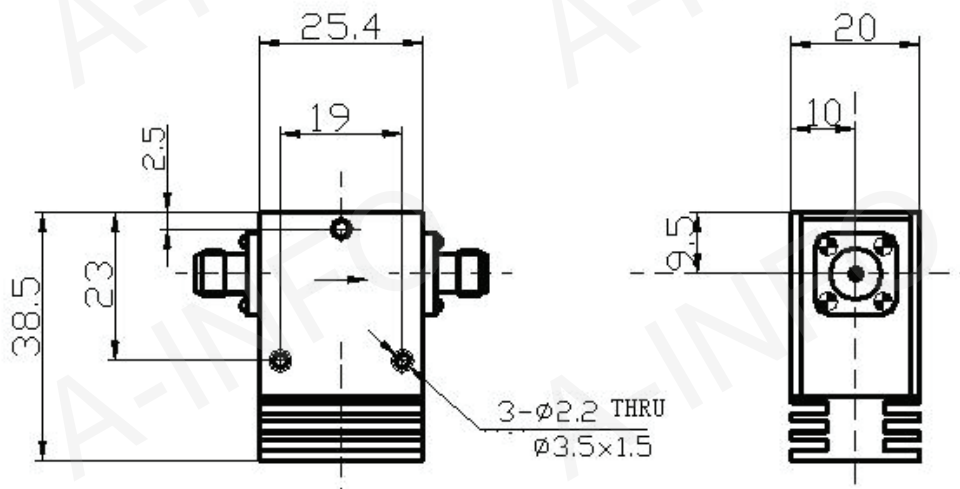


## Outline Drawing (Size: mm)



## Test Results Table

Item	Technical Specification	Test Results
Frequency Range(MHz)	1200-1400	1200-1400
Insertion Loss(dB)	0.4 max	0.30 max
VSWR	1.2 max	1.18 max
Isolation(dB)	20 min	20 min
Forward Power(W)	100 CW	100 CW
Reverse Power(W)	60 CW	60 CW
Operating Temperature(°C)	-40 ~ +70	-40 ~ +70
Connector	SMA-Female	SMA-Female
Net Weight(Kg)	-	0.07 Around