

Test report is for reference only.

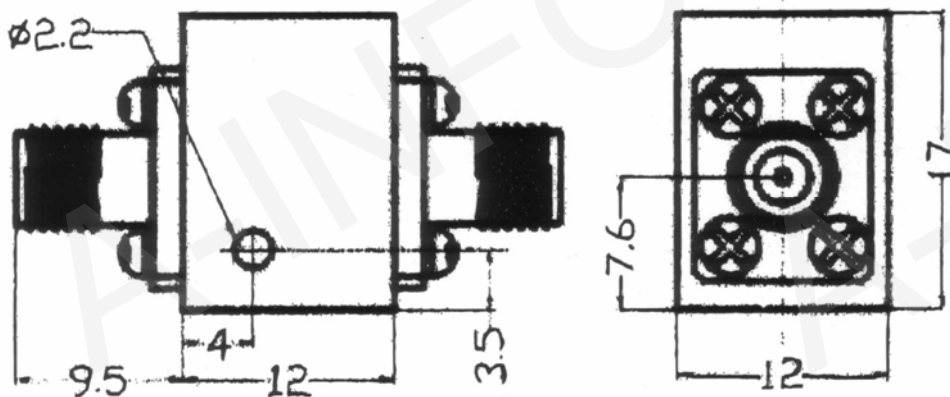
**TEST REPORT**  
**For**  
**JXWBGL-T-11500-15000-20-5**



## Technical Specification

Frequency Range(GHz)	11.5 ~15
Isolation(dB)	20 min
Insertion Loss(dB)	0.5 max
VSWR	1.25:1 max
Forward Power(W)	5 CW
Reverse Power(W)	1 CW
Peak Power (Forward & Reverse)(W)	20
Operating Temperature(°C)	0 ~50
Impedance(ohms)	50
Input/Output Connector	SMA-Female
Net Weight(Kg)	0.015 Around

## Outline Drawing (Size: mm)



## Test Results

Insertion Loss (dB)	Isolation (dB)	VSWR
0.45	21.5	1.16