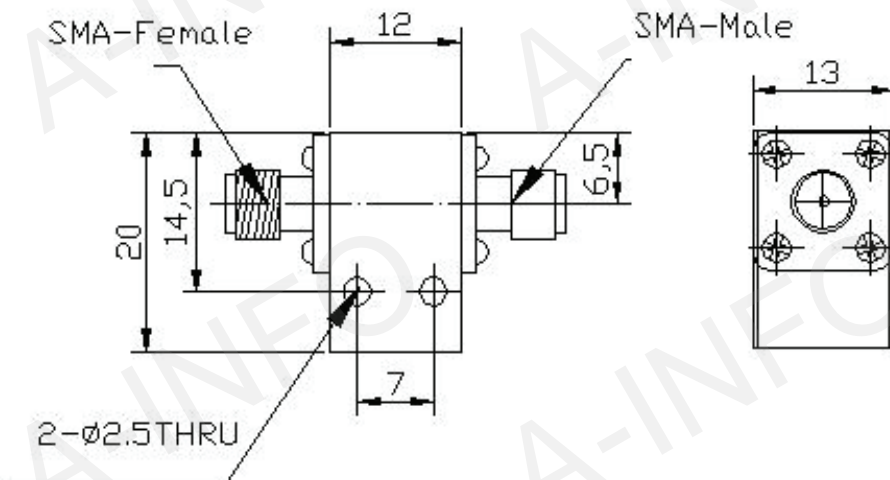


Outline Drawing (Size: mm)



Test Result Table

Item	Technical Specification	Test Results
Frequency Range(GHz)	10.9-11.8	10.9-11.8
Insertion Loss(dB)	0.5 max	0.35 max
Isolation(dB)	20 min	23 min
VSWR	1.25 max	1.20 max
Forward Power(W)	1	1
Reverse Power(W)	1	1
Input Connector	SMA-Female	SMA-Female
Output Connector	SMA-Male	SMA-Male
Operating Temperature($^{\circ}$ C)	-40 ~ +70	-40 ~ +70