



Test report is for reference only.

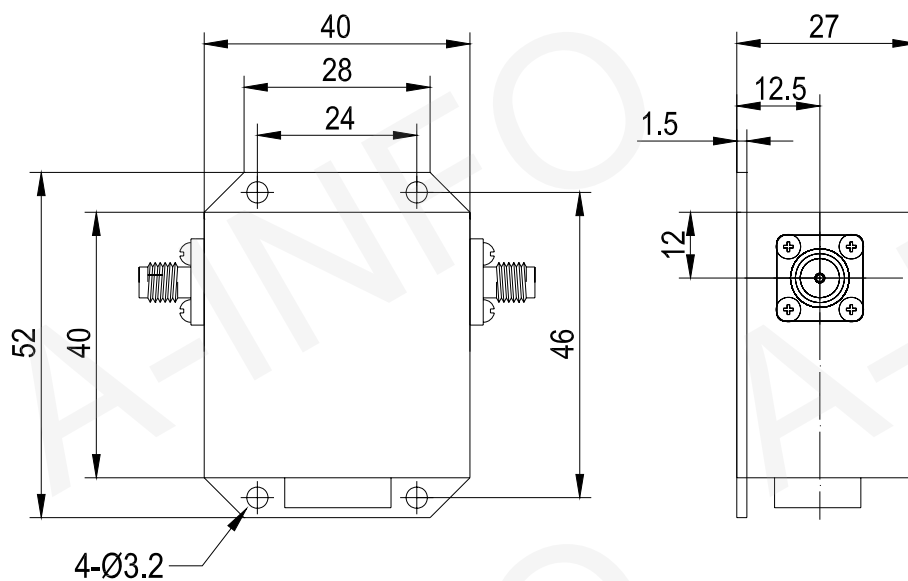
TEST REPORT
For
JXWBGL-T-100-140-17



Technical Specification

Center Frequency (MHz)	120
Bandwidth(MHz)	40
Insertion Loss(dB)	2 max
Isolation(dB)	18 min
VSWR	1.3 max
Forward Power(W)	10
Reverse Power(W)	5
Connectors	SMA-Female
Operating Temp. (°C)	-10 ~ +60
Net Weight(Kg)	0.15 Around

Outline Drawing (Size: mm)



Test Results

Insertion Loss(dB)	Isolation(dB)	VSWR
1.18	21.1	1.19