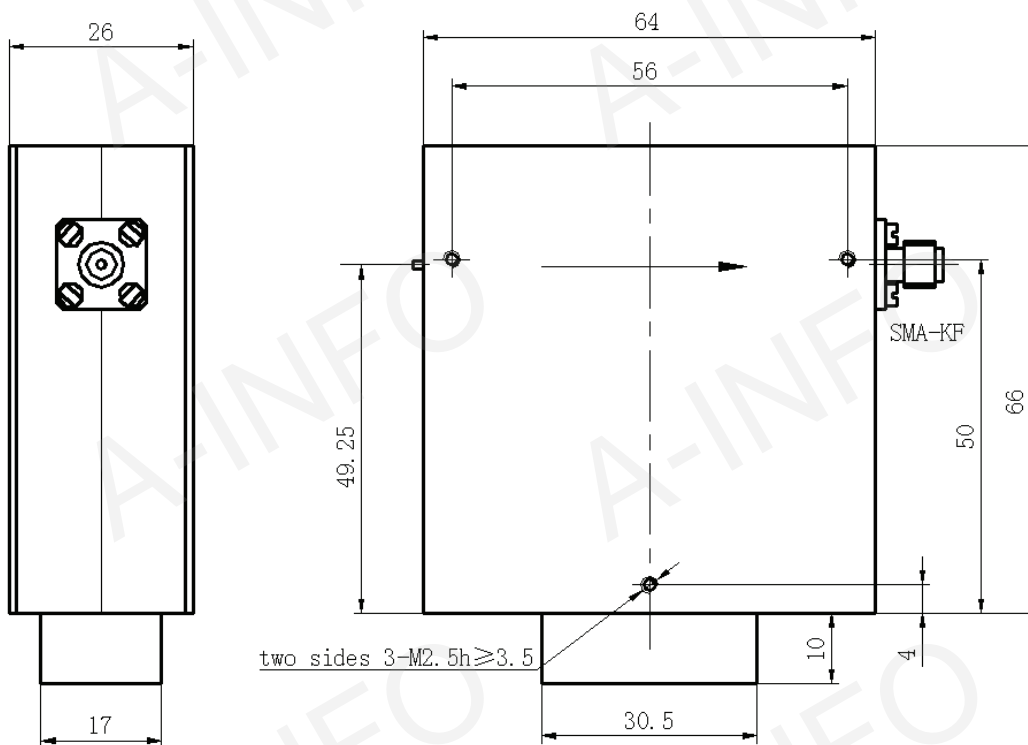


## Outline Drawing (Size: mm)



## Test Results Table

Item	Technical Specification	Test Results
Frequency Range(MHz)	1000-1700	1000-1700
Insertion Loss(dB)	0.6 max	0.53 max
Isolation(dB)	16 min	18.9 min
Forward Power(W)	200	200
Reverse Power(W)	60	60
VSWR	1.40 max	1.34 max
Input Connector	Drop-In	Drop-In
Output Connector	SMA-Female	SMA-Female
Operating Temperature(°C)	0 ~ +60	0 ~ +60