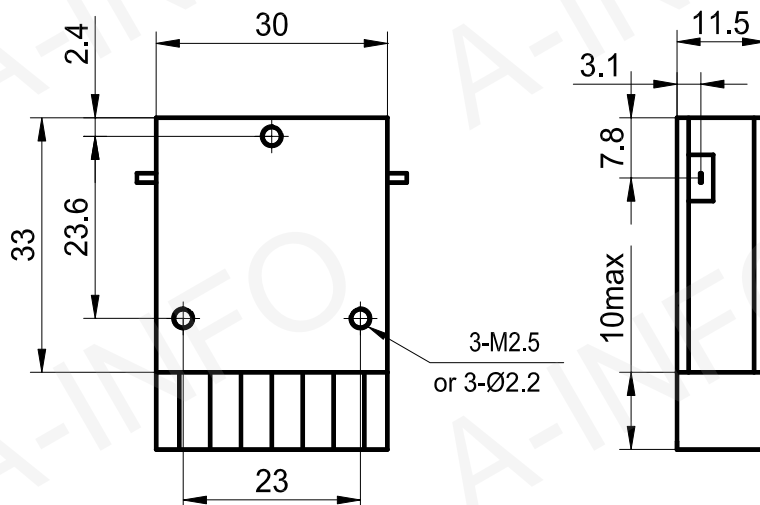


Outline Drawing (Size: mm)



Test Result Table

Item	Technical Specification	Test Results
Frequency Range(MHz)	800-1500	800-1500
Bandwidth(MHz)	200	200
Operating Frequency(MHz)	820-1020	820-1020
Insertion Loss(dB)	0.4 max	0.37 max
Isolation(dB)	20 min	25.6 min
VSWR	1.20 max	1.16 max
Power Forward(W)	100	100
Power Reverse(W)	60	60
Temperature Range(°C)	-40 ~ +70	-40 ~ +70