



Test report is for reference only.

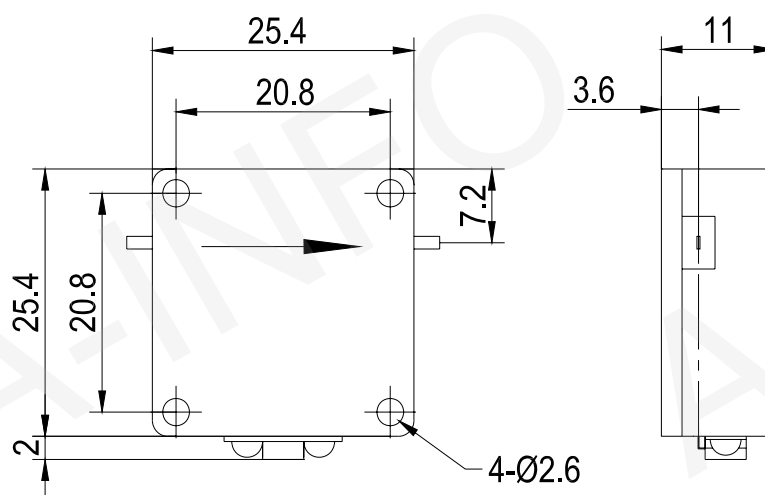
TEST REPORT
For
JXWBGL-D-1910-2170-20-5



Technical Specification

Frequency Range(MHz)	1910~2170
Insertion Loss(dB)	0.4 max
Isolation(dB)	20 min
VSWR	1.25 max
Forward Power(W)	5 CW
Reverse Power(W)	5 CW
Operating Temperature(°C)	-40 ~ +70
Storage Temperature(°C)	-55 ~ +85
Net Weight(Kg)	0.035 Around

Outline Drawing (Size: mm)



Unit: mm

Test Results

Insertion Loss(dB)	Isolation(dB)	VSWR
0.30	24.1	1.17