



Test report is for reference only.

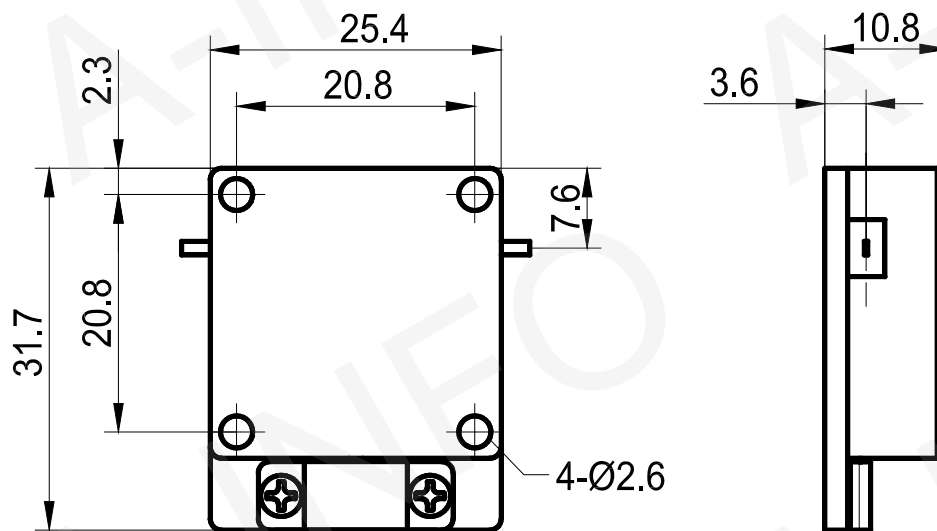
TEST REPORT
For
JXWBGL-D-1000-1060-23-30



Technical Specification

Frequency Range(GHz)	1.0-1.06
Insertion Loss(dB)	0.3 max
Isolation(dB)	23 min
VSWR	1.20 max
Forward Power(W)	30
Reverse Power(W)	10
Operating Temp. (°C)	-40 ~+70
Net Weight(Kg)	0.04

Outline Drawing (Size: mm)



Test Results

1000MHz			1060MHz		
Insertion Loss (dB)	VSWR	Isolation (dB)	Insertion Loss (dB)	VSWR	Isolation (dB)
0.18	1.04	30.7	0.20	1.15	27.4