



Test report is for reference only.

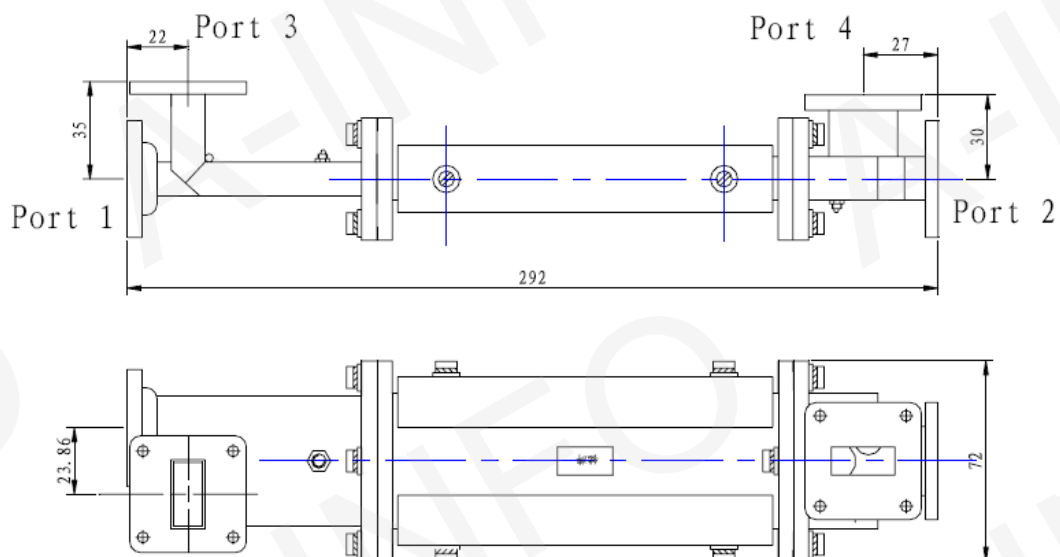
TEST REPORT
For
90WCIC-200



Technical Specification

Frequency(MHz)	9650
Bandwidth(MHz)	500
Freq. Range(MHz)	9400-9900
Peak Power (KW)	20 max
Average Power(W)	200 max.
Insertion Loss(dB)	0.3 max.(1--->2) 0.35 max.(2--->3)
VSWR	1.15 max
Isolation(dB)	23 min.(2-->1,1-->3,1-->4)
Waveguide Size	WR90
Flange	FBP100
Operating Temp. (°C)	0 ~+45
Operating Altitude	Up to 10,000 feet
Material and Finish	Brass with black paint
Net Weight(Kg)	1.43 Around

Outline Drawing (Size: mm)



Test Results

Insertion Loss

Insertion Loss(dB)		VSWR
Port1→Port2	Port2→Port3	
0.22	0.27	1.09

Isolation

Isolation(dB)		
Port1→Port 3	Port 1→Port 4	Port 2→Port 1
25.2	25.6	30.3