



Test report is for reference only.

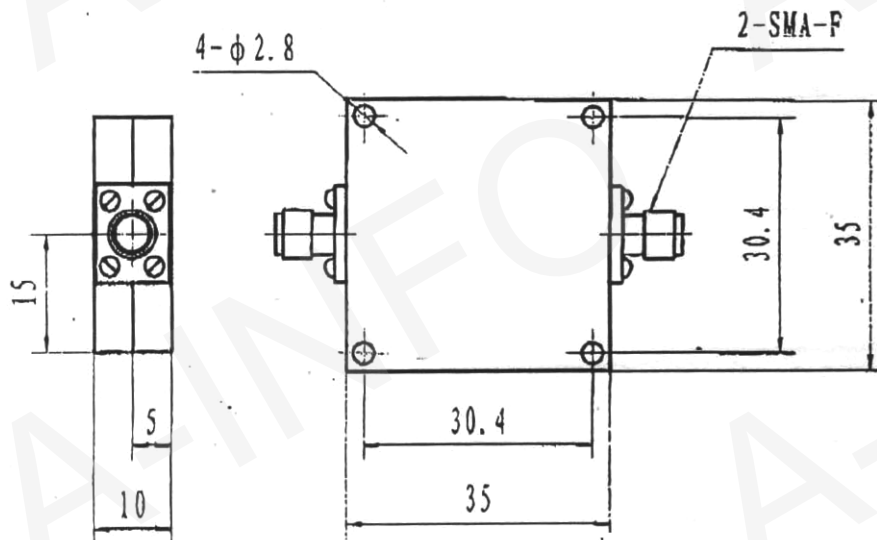
TEST REPORT
For
JXWBLB-T-HP-4-S



Technical Specification

3dB Cut Off(GHz)	4
1dB Pass Band(GHz)	4.4-12
Rejection(dB@ GHz)	40 min @ DC-3.4
Average Power(W)	15
VSWR	2:1 max
Connectors	SMA-Female
Operating Temp. (°C)	-40~+80
Net Weight(Kg)	0.04 Around

Outline Drawing (Size: mm)



Test Results

Temperature(°C)	Insertion Loss(dB)				Attenuation(dB)	VSWR
	4.0GHz	4.4GHz	8.2GHz	12.0GHz	DC~3.4GHz	
-40	0.87	0.54	0.36	0.53	44.7	1.56
+80	1.70	0.63	0.38	0.49	44.8	1.55
+20	1.24	0.59	0.38	0.50	44.1	1.60