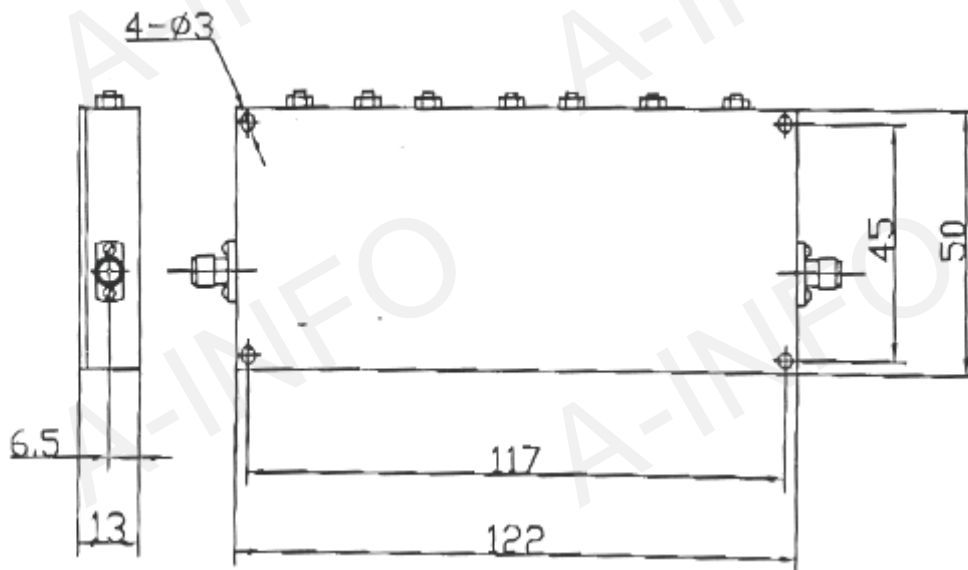


Outline Drawing (Size: mm)



Technical Specification

Item	Technical Specification
Pass Band(MHz)	DC-2345 and 2538-6000
Rejection(dB)	40 min@2.4-2.4835GHz
VSWR	2.0 max
Insertion Loss in Pass Band(dB)	1.5 max
Power(dBm)	10
Connectors	SMA-Female
Operating Temperature(°C)	-40 ~ +80

Test Results

Temperature	Insertion Loss(dB)				Rejection(dB)	VSWR
	1672MHz	2345MHz	2538MHz	6000MHz	2400-2483.5MHz	
Low	0.15	0.71	0.99	0.63	49.4	1.92
High	0.14	0.70	1.13	0.62	49.7	1.95
Normal	0.11	0.68	1.06	0.54	48.9	1.91