



Test report is for reference only.

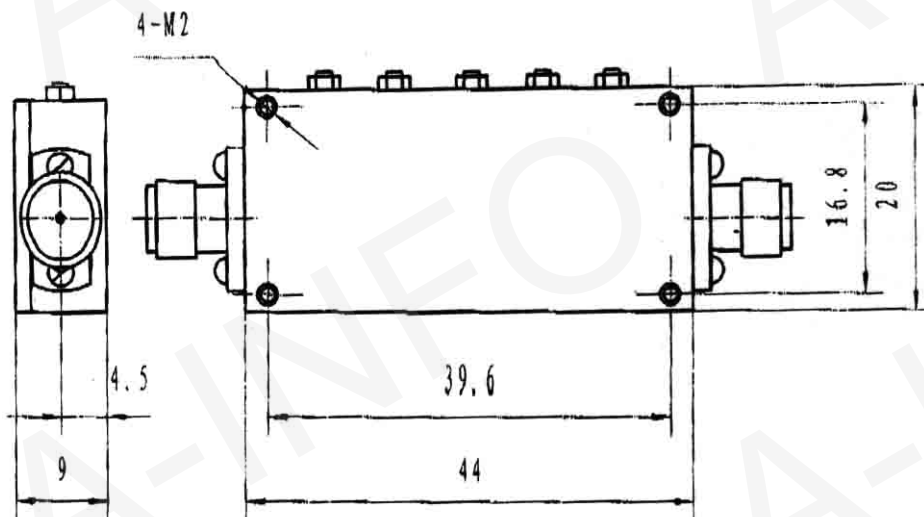
TEST REPORT
For
JXWBLB-T-BR-10000-50/T-5CS



Technical Specification

Pass Band(GHz)	7 ~ 9.8, 10.2~13
Insertion Loss in Pass Band (dB)	1.5 max
Notch Frequency(GHz)	10
Notch 3dB Bandwidth(MHz)	50
Stop Band Attenuation(dB)	40 min
Connector	SMA-Female
Operating Temperature(°C)	-40 ~ +70
Storage Temperature(°C)	-55 ~ +85
Net Weight(Kg)	0.02 Around

Outline Drawing (Size: mm)



Test Results

Temperature(°C)	Insertion Loss(dB)				Attenuation(dB)
	7.0GHz	9.8GHz	10.2GHz	13.0GHz	9.975~10.025GHz
-40	0.03	0.75	1.11	0.20	53.2
+70	0.07	0.83	1.26	0.27	51.0
+16	0.04	0.79	1.19	0.23	52.3