



Test report is for reference only.

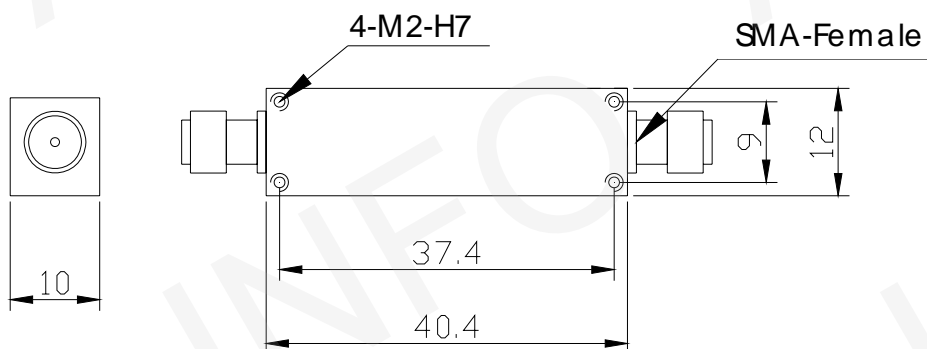
TEST REPORT
For
JXWBLB-T-BP-30-3-LSMF



Technical Specification

Frequency Range(MHz)	28.5-31.5
Insertion Loss at Center Frequency(dB)	3.5 max
Rejection(dB@ MHz)	55 min @ 22 & 38
VSWR	1.5 max
Input Connector	SMA-Male
Output Connector	SMA-Female
Operating Temp. (°C)	-40 ~ +80
Storage Temp. (°C)	-55 ~ +85
Net Weight(Kg)	0.015 Around

Outline Drawing (Size: mm)



Test Results

Temperature	F0 (MHz)	Lr0 (dB)	1dB BW	Rejection(dB)		VSWR
				22MHz	38MHz	
Low Temperature	30	-1.10	3.72	-64.6	-60.7	1.39
High Temperature	30	-1.47	3.60	-63.3	-63.5	1.41
Normal Temperature	30	-1.28	3.67	-64.0	-61.2	1.39