



Test report is for reference only.

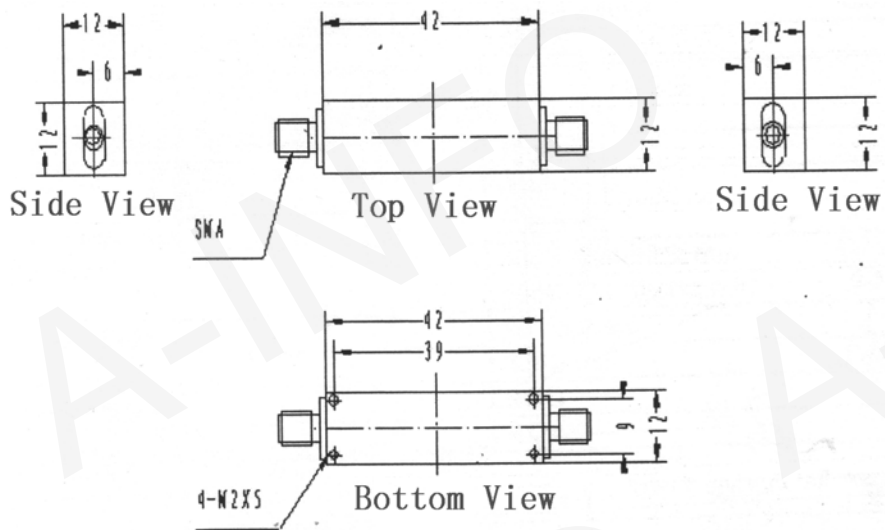
TEST REPORT
For
JXWBLB-T-BP-120-40-LS



Technical Specification

Centre Frequency(MHz)	120
3dB Bandwidth(MHz)	40
Frequency Range(MHz)	100-140
Insertion Loss(dB)	2 max
Rejection(dB@ MHz)	50 @ 80 min
	50 @ 160 min
Phase Balance(°)	90
Return Loss(dB)	18 min
Connectors	SMA-Female
ROHS Compliant	Yes
Net Weight(Kg)	0.025 Around

Outline Drawing (Size: mm)



Test Results

Insertion Loss (dB) (f0)	VSWR	Rejection(dB)		3dB Bandwidth (MHz)	Phase Balance (°)
		80 MHz	160 MHz		
1.7	1.26	66	75	42.8	11.4