



Test report is for reference only.

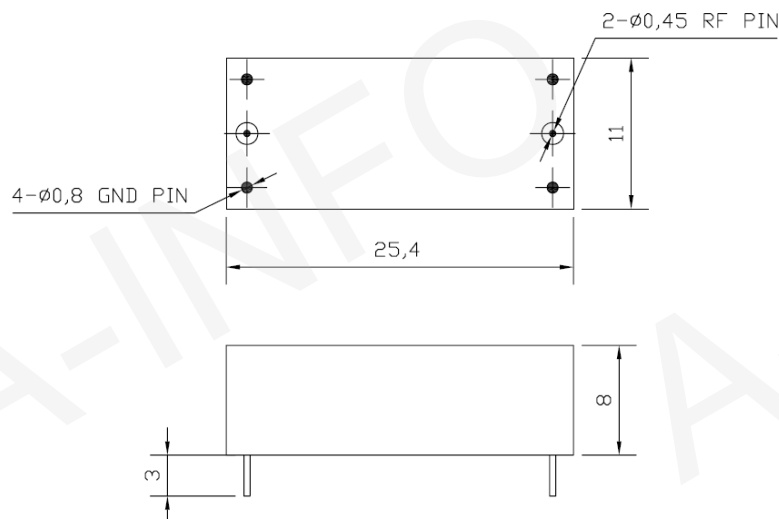
**TEST REPORT**  
**For**  
**JXWBLB-A-BP-302.2-14/T-L**



### Technical Specification

Center Frequency (f0)( MHz)	302.2±3 (+25+/-5°C) 302.2±5 (-40°C ~ +85°C)
3dB Bandwidth(MHz)	14~16
Insertion Loss @ 302.2MHz(dB)	8.0 max
Group Delay Ripple(ns)	50 max
Group Delay(ns)	105 max
Rejection(dB@ MHz)	34 min @ 270 & 335
Return Loss(dB)	13.5 min
Impedance(ohms)	50
Operating Temperature(°C)	-40 ~ +70
Storage Temperature(°C)	-55 ~ +85
Net Weight(Kg)	0.01 Around

### Outline Drawing (Size: mm)



### Test Results

Temperature	F0(MHz)	Insertion Loss (dB)	3dB BW (MHz)	Rejection(dB)		Group Delay Ripple (ns)	Group Delay (ns)	VSWR
				270MHz	335MHz			
Low Temperature	302.33	3.43	15.93	60.6	63.2	30	90	1.38
High Temperature	302.87	3.80	15.23	63.0	64.0	30	90	1.40
Normal Temperature	302.64	3.62	15.59	62.5	63.6	30	90	1.36