



Test report is for reference only.

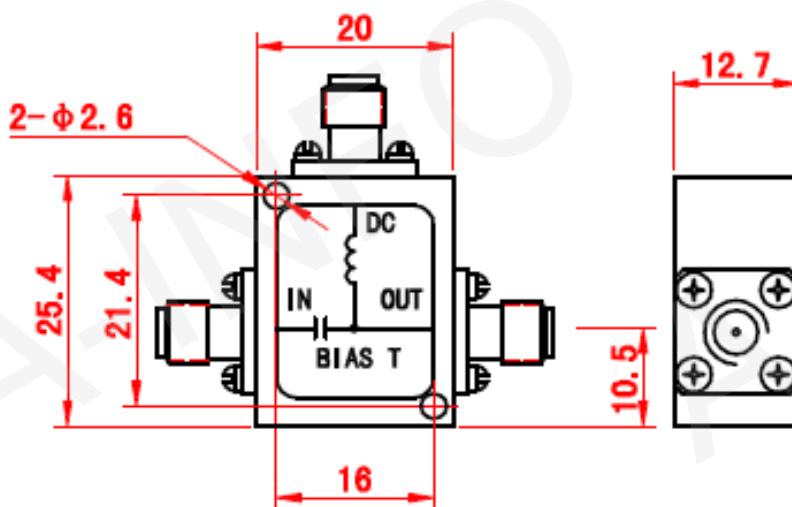
TEST REPORT
For
JXWBBT-T-1-500



Technical Specification

Freq. Range(MHz)	1~500
Insertion Loss(dB)	0.5 max
VSWR	1.2
Maximum Isolating Voltage(V)	100
Maximum RF Power (W)	1
Maximum Current(mA)	500
RF-DC Isolation(dB)	30 min
Connector	SMA-Female
Impedance(Ω)	50
Net Weight(Kg)	0.025 Around

Outline Drawing (Size: mm)



Test Results

Insertion Loss(dB)	Isolation(dB)	VSWR	Return Loss(dB)
0.47	50.04	1.01	43.50