

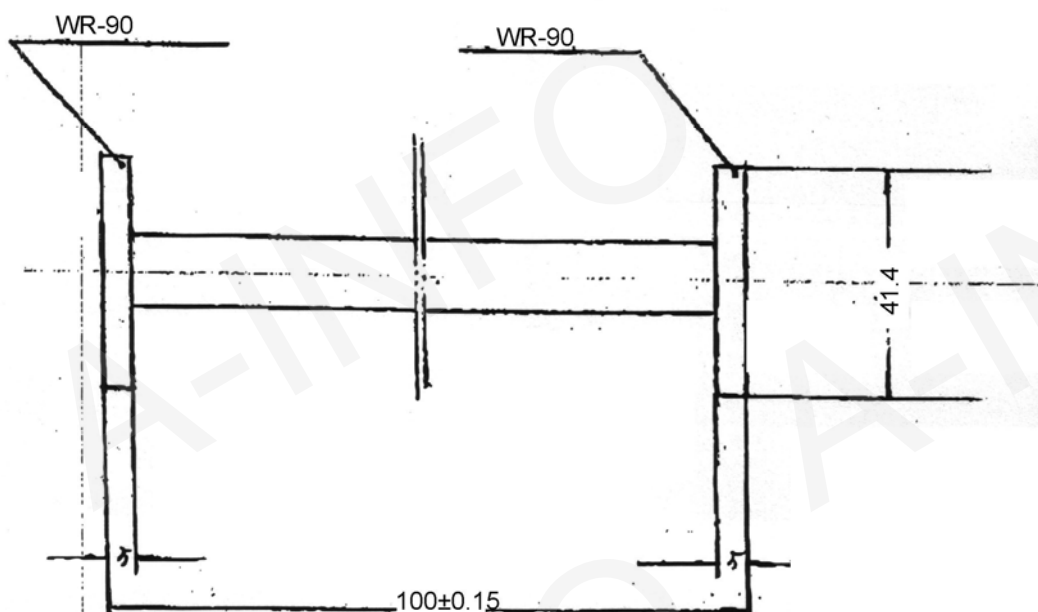


TEST REPORT
for
JXWBSJ-WR90-3-10

Technical Specification

Frequency(GHz)	9.5
Attenuation(dB)	3.0
Average Power(W)	8
Waveguide	WR90
Peak Power	10KW
	Pulse Width: 0.8us
	Repeat: 1KHz
VSWR	1.20 max
Operating Temperature(°C)	-10 ~ +60
Storage Temperature(°C)	-20 ~ +80

Outline Drawing (Size: mm)



Test Results

Frequency(GHz)	VSWR(dB)	Attenuation(dB)
9.20	1.05	2.90
9.50	1.05	3.10
9.80	1.04	3.30