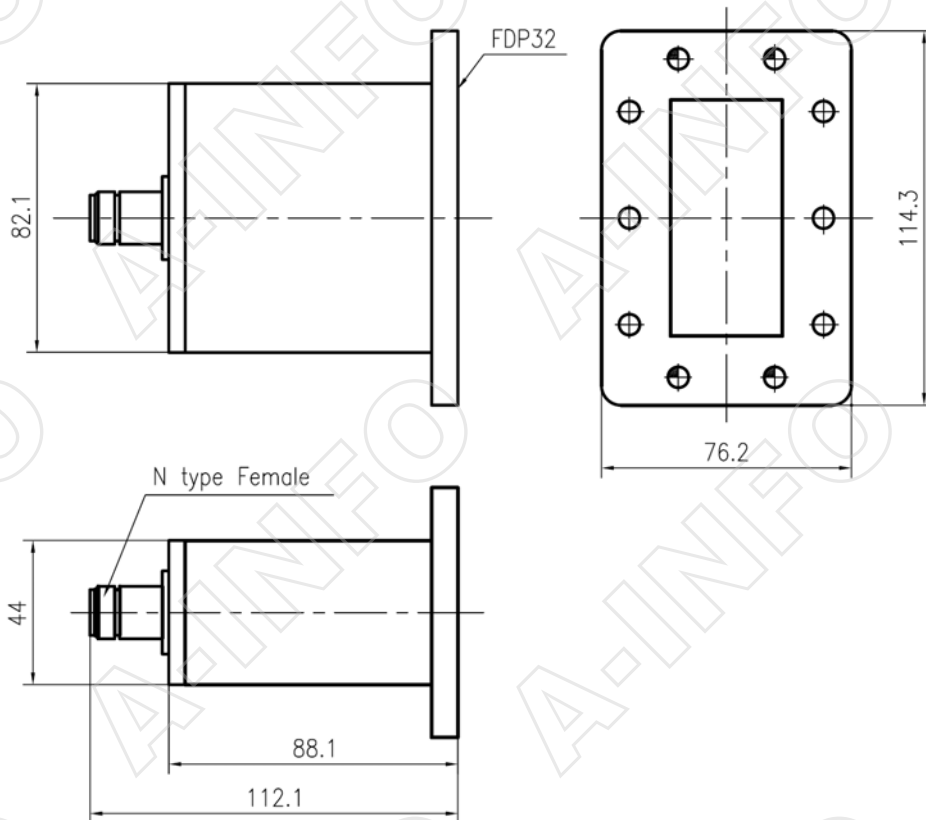


Technical Specification

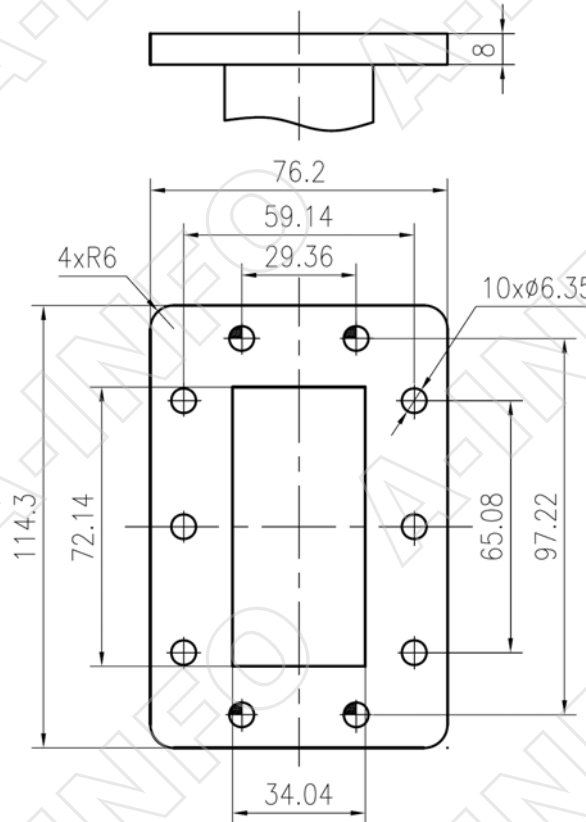


Frequency Range(GHz)	2.60 - 3.95
VSWR	1.25
Connector	N-F
Waveguide	WR284
Flange	FDP32
Material	Al
Net Weight(Kg)	0.47 Around

Outline Drawing (Size: mm)



Flange Drawing



FDP32

Test Results

VSWR

