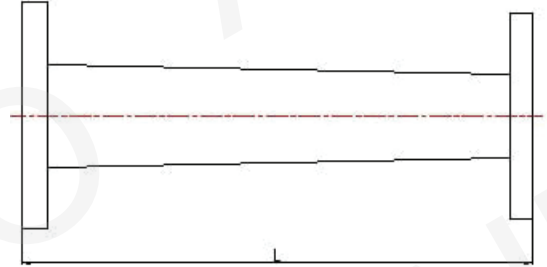
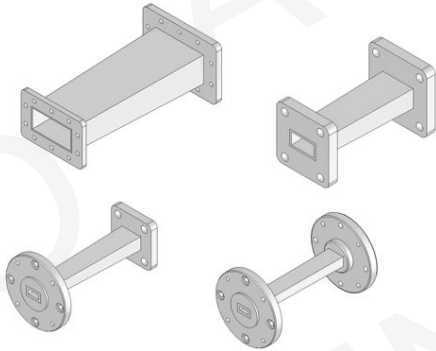


### Waveguide Transition



Standard Models

P/N	Frequency Range (GHz)	Waveguide	VSWR	Insertion Loss (dB)	Flange
340284WA-200	2.60-3.30	WR340 to WR284	1.10	0.2	WR340: FDP26/FDM26 WR284: FDP32/FDM32
284229WA-200	3.30-3.95	WR284 to WR229	1.10	0.2	WR284: FDP32/FDM32 WR229:FDP40/FDM40
229187WA-180	3.95-4.90	WR229 to WR187	1.10	0.2	WR229:FDP40/FDM40 WR187:FDP48/FDP48
187159WA-180	4.90-5.85	WR187 to WR159	1.10	0.2	WR187:FDP48/FDP48 WR159:FDP58/FDM58
159137WA-150	5.85-7.05	WR159 to WR137	1.10	0.2	WR159:FDP58/FDM58 WR137:FDP70/FDM70
137112WA-130	7.05-8.20	WR137 to WR112	1.10	0.2	WR137:FDP70/FDM70 WR112: FDP84/FDM84
11290WA-100	8.20-10.0	WR112 to WR90	1.10	0.2	WR112:FBP84/FBM84/FBE84 WR90:FBP100/FBM100/FBE100
9075WA-80	10.0-12.4	WR90 to WR75	1.10	0.2	WR90:FBP100/FBM100/FBE100 WR75:FBP120/FBM120/FBE120
7562WA-75	12.4-15.0	WR75 to WR62	1.10	0.2	WR75:FBP120/FBM120/FBE120 WR62:FBP140/FBM140/FBE140
6251WA-60	15.0-18.0	WR62 to WR51	1.10	0.2	WR62:FBP140/FBM140/FBE140 WR51:FBP180/FBM180/FBE180
5142WA-50	18.0-22.0	WR51 to WR42	1.10	0.2	WR51:FBP180/FBM180/FBE180 WR42:FBP220/FBM220/FBE220
4234WA-50	22.0-26.5	WR42 to WR34	1.10	0.2	WR42:FBP220/FBM220/FBE220 WR34:FBP260/FBM260/FBE260

P/N	Frequency Range (GHz)	Waveguide	VSWR	Insertion Loss (dB)	Flange
3428WA-50	26.5-33.0	WR34 to WR28	1.10	0.2	WR34:FBP260/FBM260/FBE260 WR28:FBP320/FBM320/FBE320
2822WA-50	33.0-40.0	WR28 to WR22	1.10	0.2	WR28:FBP320/FBM320/FBE320 WR22: FUGP400
2219WA-50	40.0-50.0	WR22 to WR19	1.10	0.2	WR22:FUGP400 WR19:FUGP500
1915WA-50	50.0-60.0	WR19 to WR15	1.10	0.2	WR19:FUGP500 WR15:FUGP620
1512WA-50	60.0-75.0	WR15 to WR12	1.10	0.2	WR15:FUGP620 WR12:FUGP740
1210WA-50	75.0-90.0	WR12 to WR10	1.10	0.2	WR12:FUGP740 WR10:FUGP900

### Ordering Information

**P/N:**

**229**

WR Size

**187**

WR Size

**WA**

Product Code

-

**L**

Length (mm)

**Example:** 229187WA-180 is a WR229 to WR187 waveguide transition. Length is 180mm.

AINFO manufactures wide variety of waveguide transition assemblies specially designed for every customers unique requirements.

Waveguide Transition can be assembled with many types of flange. We also offer many other special configurations, length and hole size to meet special requirements.

Note:

1. Customization is available;
2. For detailed information of each waveguide transition, please visit the website: [www.ainfoinc.com](http://www.ainfoinc.com)