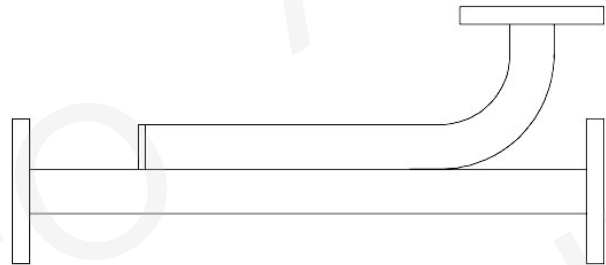


Waveguide High Directional Coupler (WC-XX Type)



Standard Models										
P/N	Frequency Range (GHz)	Frequency Sensitivity (dB)	Waveguide	Coupling (dB)	Coupling Accuracy (dB)	Directivity (dB) Min.	VSWR Mainline	VSWR Secondline	Flange	Material
284WC-XX	2.60-3.95	±0.7	WR284	3/6/ 10/20/30	±0.7	30	1.10	1.25	FDP32/ FDM32	Al/Cu
229WC-XX	3.30-4.90	±0.7	WR229	3/6/ 10/20/30	±0.7	30	1.10	1.25	FDP40/ FDM40	Al/Cu
187WC-XX	3.95-5.85	±0.7	WR187	3/6/ 10/20/30	±0.7	30	1.10	1.25	FDP48/ FDM48	Al/Cu
159WC-XX	4.90-7.05	±0.7	WR159	3/6/ 10/20/30	±0.7	30	1.10	1.25	FDP58/ FDM58	Al/Cu
137WC-XX	5.85-8.20	±0.7	WR137	3/6/ 10/20/30	±0.7	30	1.10	1.25	FDP70/ FDM70	Al/Cu
112WC-XX	7.05-10.0	±0.7	WR112	3/6/ 10/20/30	±0.7	30	1.10	1.25	FBP84/ FBM84/ FBE84	Al/Cu
90WC-XX	8.20-12.4	±0.7	WR90	3/6/ 10/20/30	±0.7	30	1.10	1.25	FBP100/ FBM100/ FBE100	Al/Cu
75WC-XX	10.0-15.0	±0.7	WR75	3/6/ 10/20/30	±0.7	30	1.10	1.25	FBP120/ FBM120/ FBE120	Al/Cu
62WC-XX	12.4-18.0	±0.7	WR62	3/6/ 10/20/30	±0.7	30	1.10	1.25	FBP140/ FBM140/ FBE140	Al/Cu
51WC-XX	15.0-22.0	±0.7	WR51	3/6/ 10/20/30	±0.7	30	1.10	1.25	FBP180/ FBM180/ FBE180	Al/Cu
42WC-XX	18.0-26.5	±0.9	WR42	3/6/ 10/20/30	±1.0	30	1.15	1.30	FBP220/ FBM220/ FBE220	Al/Cu

P/N	Frequency Range (GHz)	Frequency Sensitivity (dB)	Waveguide	Coupling (dB)	Coupling Accuracy (dB)	Directivity (dB) Min.	VSWR Mainline	VSWR Secondline	Flange	Material
34WC-XX	22.0-33.0	±0.9	WR34	3/6/ 10/20/30	±1.0	30	1.15	1.50	FBP260/ FBM260/ FBE260	Al/Cu
28WC-XX	26.5-40.0	±0.9	WR28	3/6/ 10/20/30	±1.0	30	1.15	1.50	FBP320/ FBM320/ FBE320	Al/Cu
22WC-XX	33.0-50.0	±0.9	WR22	10/20/30	±1.3	20	1.15	1.50	FUGP400	Cu
19WC-XX	40.0-60.0	±0.9	WR19	10/20/30	±1.3	20	1.15	1.50	FUGP500	Cu
15WC-XX	50.0-75.0	±0.9	WR15	10/20/30	±1.3	20	1.20	1.50	FUGP620	Cu
12WC-XX	60.0-90.0	±0.9	WR12	10/20/30	±1.3	20	1.20	1.50	FUGP740	Cu
10WC-XX	75.0-110.0	±0.9	WR10	10/20/30	±1.3	20	1.20	1.50	FUGP900	Cu

Ordering Information

P/N:

112 **WC** - **XX**
 WR Size Product Code Coupling (dB)

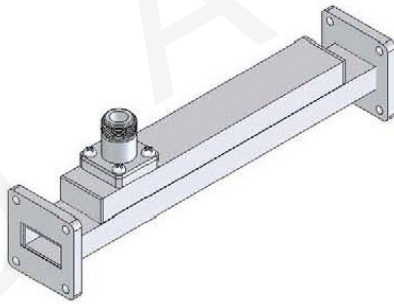
Example: 112WC-10 is a WR112 high directional coupler. Coupling is 10dB.

AINFO manufactures wide variety of waveguide high directional coupler assemblies specially designed for every customers unique requirements. Waveguide High Directional Coupler can be assembled with many types of flange. We also offer many other special configurations, length and hole size to meet special requirements.

Note:

1. Customization is available;
2. For detailed information of each WC-XX type high directional coupler, please visit the website: www.ainfoinc.com

Waveguide High Directional Coupler(WCN-XX Type)



Standard Models

P/N	Frequency Range (GHz)	Frequency Sensitivity (dB)	Waveguide	Coupling (dB)	Coupling Accuracy (dB)	Directivity (dB) Min.	VSWR Mainline	VSWR Secondline	Flange	Material
430WCN-XX	1.70-2.60	±0.7	WR430	10/20/30	±0.9	30	1.10	1.25	FDP22/ FDM22	Al/Cu
340WCN-XX	2.20-3.30	±0.7	WR340	10/20/30	±0.9	30	1.10	1.25	FDP26/ FDM26	Al/Cu
284WCN-XX	2.60-3.95	±0.7	WR284	3/6/ 10/20/30	±0.7	30	1.10	1.25	FDP32/ FDM32	Al/Cu
229WCN-XX	3.30-4.90	±0.7	WR229	3/6/ 10/20/30	±0.7	30	1.10	1.25	FDP40/ FDM40	Al/Cu
187WCN-XX	3.95-5.85	±0.7	WR187	3/6/ 10/20/30	±0.7	30	1.10	1.25	FDP48/ FDM48	Al/Cu
159WCN-XX	4.90-7.05	±0.7	WR159	3/6/ 10/20/30	±0.7	30	1.10	1.25	FDP58/ FDM58	Al/Cu
137WCN-XX	5.85-8.20	±0.7	WR137	3/6/ 10/20/30	±0.7	30	1.10	1.25	FDP70/ FDM70	Al/Cu
112WCN-XX	7.05-10.0	±0.7	WR112	3/6/ 10/20/30	±0.7	30	1.10	1.25	FBP84/ FBM84/ FBE84	Al/Cu
90WCN-XX	8.20-12.4	±0.7	WR90	3/6/ 10/20/30	±0.7	30	1.10	1.25	FBP100/ FBM100/ FBE100	Al/Cu
75WCS-XX	10.0-15.0	±0.7	WR75	3/6/ 10/20/30	±0.7	30	1.10	1.25	FBP120/ FBM120/ FBE120	Al/Cu
62WCS-XX	12.4-18.0	±0.7	WR62	3/6/ 10/20/30	±0.7	30	1.10	1.25	FBP140/ FBM140/ FBE140	Al/Cu

P/N	Frequency Range (GHz)	Frequency Sensitivity (dB)	Waveguide	Coupling (dB)	Coupling Accuracy (dB)	Directivity (dB) Min.	VSWR Mainline	VSWR Secondline	Flange	Material
51WCS-XX	15.0-22.0	±0.7	WR51	3/6/10/20/30	±0.7	30	1.10	1.25	FBP180/ FBM180/ FBE180	Al/Cu
42WCS-XX	18.0-26.5	±0.9	WR42	3/6/10/20/30	±1.0	30	1.15	1.30	FBP220/ FBM220/ FBE220	Al/Cu
34WCS-XX	22.0-33.0	±0.9	WR34	3/6/10/20/30	±1.0	30	1.15	1.50	FBP260/ FBM260/ FBE260	Al/Cu
28WCS-XX	26.5-40.0	±0.9	WR28	3/6/10/20/30	±1.0	30	1.15	1.50	FBP320/ FBM320/ FBE320	Al/Cu

Ordering Information

P/N:

90 WCN - XX
 WR Size Product Code Coupling (dB)

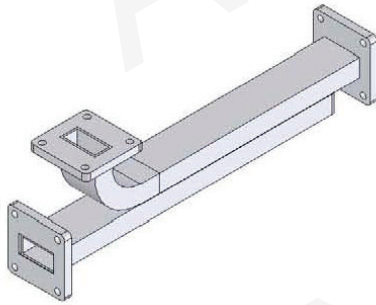
Example: 90WCN-10 is a WR90 high directional coupler. Coupling is 10dB,N type Female connector.

AINFO manufactures wide variety of waveguide high directional coupler assemblies specially designed for every customers unique requirements. Waveguide High Directional Coupler can be assembled with many types of flange. We also offer many other special configurations, length and hole size to meet special requirements.

Note:

1. Customization is available;
2. For detailed information of each WCN-XX type high directional coupler, please visit the website: www.ainfoinc.com

Waveguide High Directional Coupler (WIC-XX Type)



Standard Models										
P/N	Frequency Range (GHz)	Frequency Sensitivity (dB)	Waveguide	Coupling (dB)	Coupling Accuracy (dB)	Directivity (dB) Min.	VSWR Mainline	VSWR Secondline	Flange	Material
284WIC-XX	2.60-3.95	±0.7	WR284	3/6/10 /20/30	±0.7	30	1.10	1.25	FDP32/ FDM32	Al/Cu
229WIC-XX	3.30-4.90	±0.7	WR229	3/6/10 /20/30	±0.7	30	1.10	1.25	FDP40/ FDM40	Al/Cu
187WIC-XX	3.95-5.85	±0.7	WR187	3/6/10 /20/30	±0.7	30	1.10	1.25	FDP48/ FDM48	Al/Cu
159WIC-XX	4.90-7.05	±0.7	WR159	3/6/10 /20/30	±0.7	30	1.10	1.25	FDP58/ FDM58	Al/Cu
137WIC-XX	5.85-8.20	±0.7	WR137	3/6/10 /20/30	±0.7	30	1.10	1.25	FDP70/ FDM70	Al/Cu
112WIC-XX	7.05-10.0	±0.7	WR112	3/6/10 /20/30	±0.7	30	1.10	1.25	FBP84/ FBM84/ FBE84	Al/Cu
90WIC-XX	8.20-12.4	±0.7	WR90	3/6/10 /20/30	±0.7	30	1.10	1.25	FBP100/ FBM100/ FBE100	Al/Cu
75WIC-XX	10.0-15.0	±0.7	WR75	3/6/10 /20/30	±0.7	30	1.10	1.25	FBP120/ FBM120/ FBE120	Al/Cu
62WIC-XX	12.4-18.0	±0.7	WR62	3/6/10 /20/30	±0.7	30	1.10	1.25	FBP140/ FBM140/ FBE140	Al/Cu
51WIC-XX	15.0-22.0	±0.7	WR51	3/6/10 /20/30	±0.7	30	1.10	1.25	FBP180/ FBM180/ FBE180	Al/Cu
42WIC-XX	18.0-26.5	±0.9	WR42	3/6/10 /20/30	±1.0	30	1.15	1.30	FBP220/ FBM220/ FBE220	Al/Cu

P/N	Frequency Range (GHz)	Frequency Sensitivity (dB)	Waveguide	Coupling (dB)	Coupling Accuracy (dB)	Directivity (dB) Min.	VSWR Mainline	VSWR Secondline	Flange	Material
34WIC-XX	22.0-33.0	±0.9	WR34	3/6/10 /20/30	±1.0	30	1.15	1.50	FBP260/ FBM260/ FBE260	Al/Cu
28WIC-XX	26.5-40.0	±0.9	WR28	3/6/10 /20/30	±1.0	30	1.15	1.50	FBP320/ FBM320/ FBE320	Al/Cu

Ordering Information

P/N:

75 **WIC** - **XX**
 WR Size Product Code Coupling (dB)

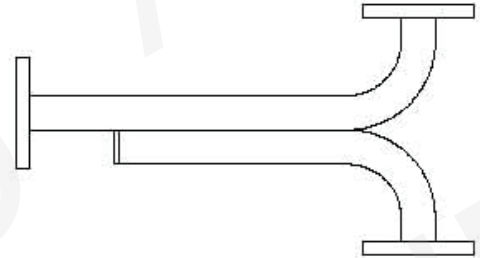
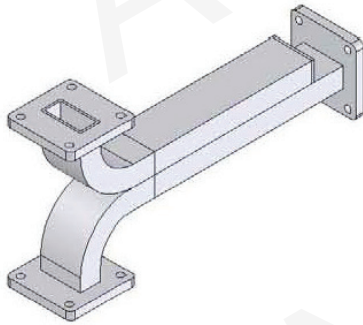
Example: 75WIC-10 is a WR75 high directional coupler. Coupling is 10dB.

AINFO manufactures wide variety of waveguide high directional coupler assemblies specially designed for every customers unique requirements. Waveguide High Directional Coupler can be assembled with many types of flange. We also offer many other special configurations, length and hole size to meet special requirements.

Note:

1. Customization is available;
2. For detailed information of each WIC-XX type high directional coupler, please visit the website: www.ainfoinc.com

Waveguide High Directional Coupler (WYC-XX Type)



Standard Models

P/N	Frequency Range (GHz)	Frequency Sensitivity (dB)	Waveguide	Coupling (dB)	Coupling Accuracy (dB)	Directivity (dB) Min.	VSWR Mainline	VSWR Secondline	Flange	Material
284WYC-XX	2.60-3.95	±0.7	WR284	3/6/10 /20/30	±0.7	30	1.10	1.25	FDP32/ FDM32	Al/Cu
229WYC-XX	3.30-4.90	±0.7	WR229	3/6/10 /20/30	±0.7	30	1.10	1.25	FDP40/ FDM40	Al/Cu
187WYC-XX	3.95-5.85	±0.7	WR187	3/6/10 /20/30	±0.7	30	1.10	1.25	FDP48/ FDM48	Al/Cu
159WYC-XX	4.90-7.05	±0.7	WR159	3/6/10 /20/30	±0.7	30	1.10	1.25	FDP58/ FDM58	Al/Cu
137WYC-XX	5.85-8.20	±0.7	WR137	3/6/10 /20/30	±0.7	30	1.10	1.25	FDP70/ FDM70	Al/Cu
112WYC-XX	7.05-10.0	±0.7	WR112	3/6/10 /20/30	±0.7	30	1.10	1.25	FBP84/ FBM84/ FBE84	Al/Cu
90WYC-XX	8.20-12.4	±0.7	WR90	3/6/10 /20/30	±0.7	30	1.10	1.25	FBP100/ FBM100/ FBE100	Al/Cu
75WYC-XX	10.0-15.0	±0.7	WR75	3/6/10 /20/30	±0.7	30	1.10	1.25	FBP120/ FBM120/ FBE120	Al/Cu
62WYC-XX	12.4-18.0	±0.7	WR62	3/6/10 /20/30	±0.7	30	1.10	1.25	FBP140/ FBM140/ FBE140	Al/Cu
51WYC-XX	15.0-22.0	±0.7	WR51	3/6/10 /20/30	±0.7	30	1.10	1.25	FBP180/ FBM180/ FBE180	Al/Cu
42WYC-XX	18.0-26.5	±0.9	WR42	3/6/10 /20/30	±1.0	30	1.15	1.30	FBP220/ FBM220/ FBE220	Al/Cu

P/N	Frequency Range (GHz)	Frequency Sensitivity (dB)	Waveguide	Coupling (dB)	Coupling Accuracy (dB)	Directivity (dB) Min.	VSWR Mainline	VSWR Secondline	Flange	Material
34WYC-XX	22.0-33.0	±0.9	WR34	3/6/10 /20/30	±1.0	30	1.15	1.50	FBP260/ FBM260/ FBE260	Al/Cu
28WYC-XX	26.5-40.0	±0.9	WR28	3/6/10 /20/30	±1.0	30	1.15	1.50	FBP320/ FBM320/ FBE320	Al/Cu

Ordering Information

P/N:

62 **WYC** - **XX**
 WR Size Product Code Coupling (dB)

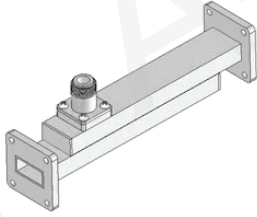
Example: 62WYC-10 is a WR62 high directional coupler. Coupling is 10dB.

AINFO manufactures wide variety of waveguide high directional coupler assemblies specially designed for every customers unique requirements. Waveguide High Directional Coupler can be assembled with many types of flange. We also offer many other special configurations, length and hole size to meet special requirements.

Note:

1. Customization is available;
2. For detailed information of each WYC-XX type high directional coupler, please visit the website: www.ainfoinc.com

Waveguide High Directional Coupler (WICN-XX Type)



Standard Models

P/N	Frequency Range (GHz)	Frequency Sensitivity (dB)	Waveguide	Coupling (dB)	Coupling Accuracy (dB)	Directivity (dB) Min.	VSWR Mainline	VSWR Secondline	Flange	Material
284WICN-XX	2.60-3.95	±0.7	WR284	3/6/ 10/20/30	±0.7	30	1.10	1.25	FDP32/ FDM32	Al/Cu
229WICN-XX	3.30-4.90	±0.7	WR229	3/6/ 10/20/30	±0.7	30	1.10	1.25	FDP40/ FDM40	Al/Cu
187WICN-XX	3.95-5.85	±0.7	WR187	3/6/ 10/20/30	±0.7	30	1.10	1.25	FDP48/ FDM48	Al/Cu
159WICN-XX	4.90-7.05	±0.7	WR159	3/6/ 10/20/30	±0.7	30	1.10	1.25	FDP58/ FDM58	Al/Cu
137WICN-XX	5.85-8.20	±0.7	WR137	3/6/ 10/20/30	±0.7	30	1.10	1.25	FDP70/ FDM70	Al/Cu
112WICN-XX	7.05-10.0	±0.7	WR112	3/6/ 10/20/30	±0.7	30	1.10	1.25	FBP84/ FBM84/ FBE84	Al/Cu
90WICN-XX	8.20-12.4	±0.7	WR90	3/6/ 10/20/30	±0.7	30	1.10	1.25	FBP100/ FBM100/ FBE100	Al/Cu
75WICS-XX	10.0-15.0	±0.7	WR75	3/6/ 10/20/30	±0.7	30	1.10	1.25	FBP120/ FBM120/ FBE120	Al/Cu
62WICS-XX	12.4-18.0	±0.7	WR62	3/6/ 10/20/30	±0.7	30	1.10	1.25	FBP140/ FBM140/ FBE140	Al/Cu
51WICS-XX	15.0-22.0	±0.7	WR51	3/6/ 10/20/30	±0.7	30	1.10	1.25	FBP180/ FBM180/ FBE180	Al/Cu
42WICS-XX	18.0-26.5	±0.9	WR42	3/6/ 10/20/30	±1.0	30	1.15	1.30	FBP220/ FBM220/ FBE220	Al/Cu
34WICS-XX	22.0-33.0	±0.9	WR34	3/6/ 10/20/30	±1.0	30	1.15	1.50	FBP260/ FBM260/ FBE260	Al/Cu
28WICS-XX	26.5-40.0	±0.9	WR28	3/6/ 10/20/30	±1.0	30	1.15	1.50	FBP320/ FBM320/ FBE320	Al/Cu

Ordering Information

P/N:

62 **WICS** - **XX**
 WR Size Product Code Coupling (dB)

Example: 62WICS-10 is a WR62 high directional coupler(SMA Female connector). Coupling is 10dB.

AINFO manufactures wide variety of waveguide high directional coupler assemblies specially designed for every customers unique requirements. Waveguide High Directional Coupler can be assembled with many types of flange. We also offer many other special configurations, length and hole size to meet special requirements.

Note:

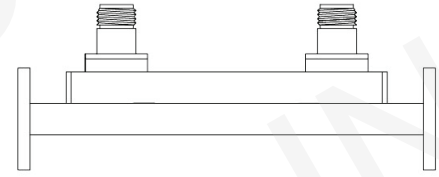
1. Customization is available;
2. For detailed information of each WICN-XX type high directional coupler, please visit the website: www.ainfoinc.com.

We can also provide the following types coupler, pls. see the outline drawing.

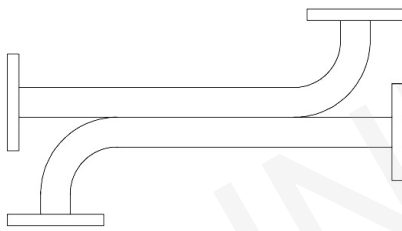
Four ports Dual Coupler



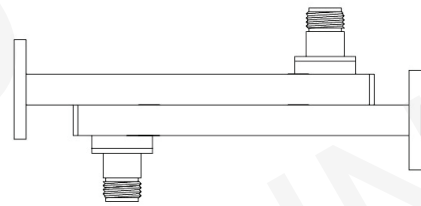
WUC Series



WUCN Series

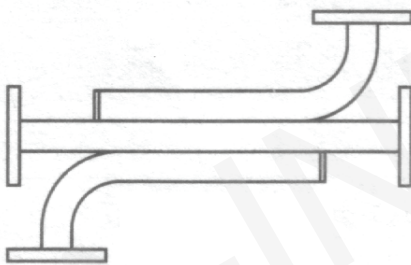


WXC Series

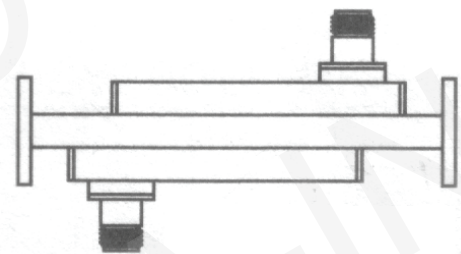


WXCN Series

Dual Directional Coupler

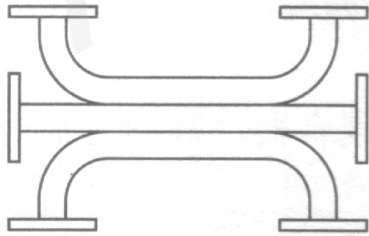


WDXC Series

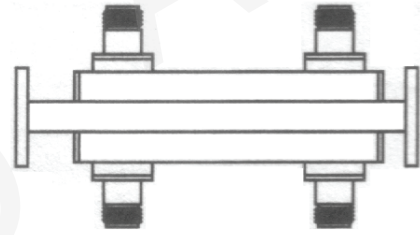


WDXCN Series

Six Ports Dual Coupler

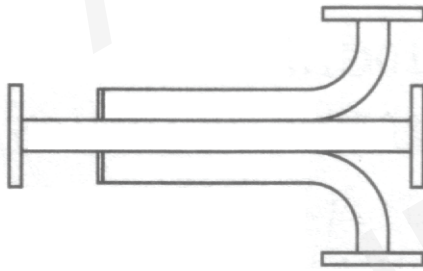


WDUC Series

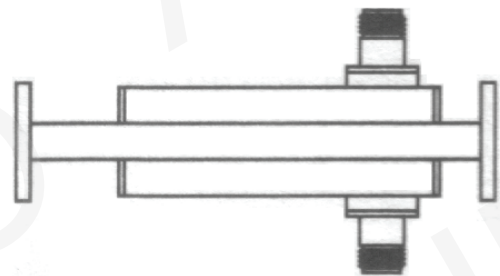


WDUCN Series

Same Directional Coupled Power Divider



WDC Series



WDCN Series

Note:

For detailed information of above couplers, pls.feel free to contact us.