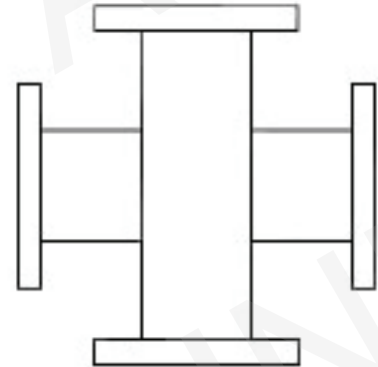
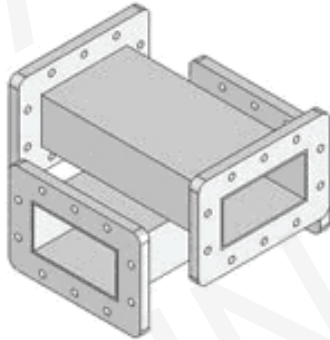


Waveguide Cross Coupler(W+C-XX Type)



Standard Models									
P/N	Frequency Range (GHz)	Waveguide	Band Width	Coupling (dB)	Directivity (dB) Min.	VSWR Mainline	VSWR Secondline	Flange	Material
975W+C-XX	0.75-1.12	WR975	10%-20%	20/30 /40/50	18	1.15	1.25	FDP9	Al
770W+C-XX	0.96-1.45	WR770	10%-20%	20/30 /40/50	18	1.15	1.25	FDP12	Al
650W+C-XX	1.12-1.70	WR650	10%-20%	20/30 /40/50	18	1.15	1.25	FDP14/ FDM14	Al
510W+C-XX	1.45-2.20	WR510	10%-20%	20/30 /40/50	18	1.15	1.25	FDP18/ FDM18	Al/Cu
430W+C-XX	1.70-2.60	WR430	10%-20%	20/30 /40/50	18	1.15	1.25	FDP22/ FDM22	Al/Cu
340W+C-XX	2.20-3.30	WR340	10%-20%	20/30 /40/50	18	1.15	1.25	FDP26/ FDM26	Al/Cu
284W+C-XX	2.60-3.95	WR284	10%-20%	20/30 /40/50	18	1.15	1.25	FDP32/ FDM32	Al/Cu
229W+C-XX	3.30-4.90	WR229	10%-20%	20/30 /40/50	18	1.15	1.25	FDP40/ FDM40	Al/Cu
187W+C-XX	3.95-5.85	WR187	10%-20%	20/30 /40/50	18	1.15	1.25	FDP48/ FDM48	Al/Cu
159W+C-XX	4.90-7.05	WR159	10%-20%	20/30 /40/50	18	1.15	1.25	FDP58/ FDM58	Al/Cu
137W+C-XX	5.85-8.20	WR137	10%-20%	20/30 /40/50	18	1.15	1.25	FDP70/ FDM70	Al/Cu
112W+C-XX	7.05-10.0	WR112	10%-20%	20/30 /40/50	18	1.15	1.25	FBP84/ FBM84/ FBE84	Al/Cu
90W+C-XX	8.20-12.4	WR90	10%-20%	20/30 /40/50	18	1.15	1.25	FBP100/ FBM100/ FBE100	Al/Cu
75W+C-XX	10.0-15.0	WR75	10%-20%	20/30 /40/50	18	1.15	1.25	FBP120/ FBM120/ FBE120	Al/Cu

P/N	Frequency Range (GHz)	Waveguide	Band Width	Coupling (dB)	Directivity (dB) Min.	VSWR Mainline	VSWR Secondline	Flange	Material
62W+C-XX	12.4-18.0	WR62	10%-20%	20/30 /40/50	18	1.15	1.25	FBP140/ FBM140/ FBE140	Al/Cu
51W+C-XX	15.0-22.0	WR51	10%-20%	20/30 /40/50	18	1.15	1.25	FBP180/ FBM180/ FBE180	Al/Cu
42W+C-XX	18.0-26.5	WR42	10%-20%	20/30 /40/50	18	1.15	1.25	FBP220/ FBM220/ FBE220	Al/Cu
34W+C-XX	22.0-33.0	WR34	10%-20%	20/30 /40/50	18	1.15	1.25	FBP260/ FBM260/ FBE260	Al/Cu
28W+C-XX	26.5-40.0	WR28	10%-20%	20/30 /40/50	18	1.20	1.25	FBP320/ FBM320/ FBE320	Al/Cu

Ordering Information

P/N:

187 **W+C** - **XX**
 WR Size Product Code Coupling (dB)

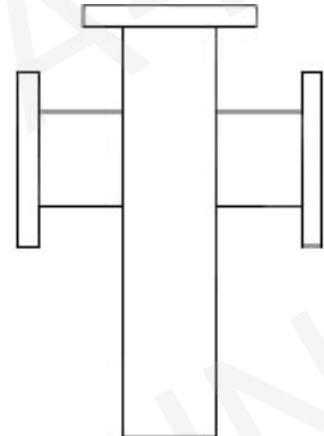
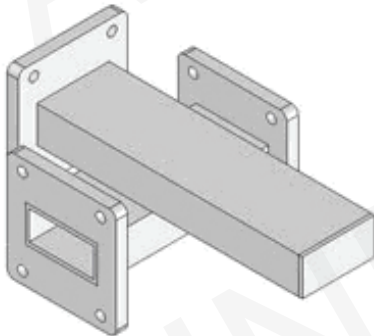
Example: 187W+C-20 is a WR187 waveguide cross coupler. Coupling is 20dB.

AINFO manufactures wide variety of waveguide cross coupler assemblies specially designed for every customers unique requirements. Waveguide Cross Coupler can be assembled with many types of flange. We also offer many other special configurations, length and hole size to meet special requirements.

Note:

1. Customization is available;
2. For detailed information of each W+C-XX type waveguide cross coupler, please visit the website: www.ainfoinc.com.

Waveguide Cross Coupler(WL+C-XX Type)



Standard Models									
P/N	Frequency Range (GHz)	Waveguide	Band Width	Coupling (dB)	Directivity (dB) Min.	VSWR Mainline	VSWR Secondline	Flange	Material
975WL+C-XX	0.75-1.12	WR975	10%-20%	20/30 /40/50	18	1.15	1.25	FDP9	Al
770WL+C-XX	0.96-1.45	WR770	10%-20%	20/30 /40/50	18	1.15	1.25	FDP12	Al
650WL+C-XX	1.12-1.70	WR650	10%-20%	20/30 /40/50	18	1.15	1.25	FDP14/ FDM14	Al
510WL+C-XX	1.45-2.20	WR510	10%-20%	20/30 /40/50	18	1.15	1.25	FDP18/ FDM18	Al/Cu
430WL+C-XX	1.70-2.60	WR430	10%-20%	20/30 /40/50	18	1.15	1.25	FDP22/ FDM22	Al/Cu
340WL+C-XX	2.20-3.30	WR340	10%-20%	20/30 /40/50	18	1.15	1.25	FDP26/ FDM26	Al/Cu
284WL+C-XX	2.60-3.95	WR284	10%-20%	20/30 /40/50	18	1.15	1.25	FDP32/ FDM32	Al/Cu
229WL+C-XX	3.30-4.90	WR229	10%-20%	20/30 /40/50	18	1.15	1.25	FDP40/ FDM40	Al/Cu
187WL+C-XX	3.95-5.85	WR187	10%-20%	20/30 /40/50	18	1.15	1.25	FDP48/ FDM48	Al/Cu
159WL+C-XX	4.90-7.05	WR159	10%-20%	20/30 /40/50	18	1.15	1.25	FDP58/ FDM58	Al/Cu
137WL+C-XX	5.85-8.20	WR137	10%-20%	20/30 /40/50	18	1.15	1.25	FDP70/ FDM70	Al/Cu
112WL+C-XX	7.05-10.0	WR112	10%-20%	20/30 /40/50	18	1.15	1.25	FBP84/ FBM84/ FBE84	Al/Cu
90WL+C-XX	8.20-12.4	WR90	10%-20%	20/30 /40/50	18	1.15	1.25	FBP100/ FBM100/ FBE100	Al/Cu
75WL+C-XX	10.0-15.0	WR75	10%-20%	20/30 /40/50	18	1.15	1.25	FBP120/ FBM120/ FBE120	Al/Cu

P/N	Frequency Range (GHz)	Waveguide	Band Width	Coupling (dB)	Directivity (dB) Min.	VSWR Mainline	VSWR Secondline	Flange	Material
62WL+C-XX	12.4-18.0	WR62	10%-20%	20/30 /40/50	18	1.15	1.25	FBP140/ FBM140/ FBE140	Al/Cu
51WL+C-XX	15.0-22.0	WR51	10%-20%	20/30 /40/50	18	1.15	1.25	FBP180/ FBM180/ FBE180	Al/Cu
42WL+C-XX	18.0-26.5	WR42	10%-20%	20/30 /40/50	18	1.15	1.25	FBP220/ FBM220/ FBE220	Al/Cu
34WL+C-XX	22.0-33.0	WR34	10%-20%	20/30 /40/50	18	1.15	1.25	FBP260/ FBM260/ FBE260	Al/Cu
28WL+C-XX	26.5-40.0	WR28	10%-20%	20/30 /40/50	18	1.20	1.25	FBP320/ FBM320/ FBE320	Al/Cu

Ordering Information

P/N:

159 **WL+C** - **XX**
 WR Size Product Code Coupling (dB)

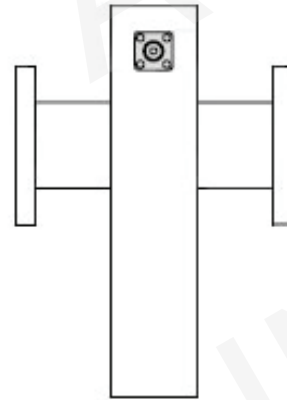
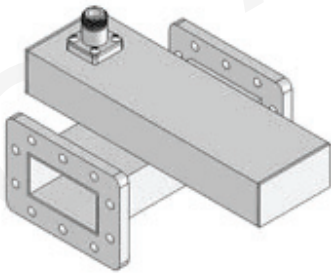
Example: 159WL+C-20 is a WR159 waveguide cross coupler. Coupling is 20dB.

AINFO manufactures wide variety of waveguide cross coupler assemblies specially designed for every customers unique requirements. Waveguide Cross Coupler can be assembled with many types of flange. We also offer many other special configurations, length and hole size to meet special requirements.

Note:

1. Customization is available;
2. For detailed information of each WL+C-XX type waveguide cross coupler, please visit the website: www.ainfoinc.com.

Waveguide Cross Coupler(WL+CN-XX Type)



Standard Models

P/N	Frequency Range (GHz)	Waveguide	Band Width	Coupling (dB)	Directivity (dB) Min.	VSWR Mainline	VSWR Secondline	Flange	Material
975WL+CN-XX	0.75-1.12	WR975	10%-20%	20/30 /40/50	18	1.15	1.25	FDP9	Al
770WL+CN-XX	0.96-1.45	WR770	10%-20%	20/30 /40/50	18	1.15	1.25	FDP12	Al
650WL+CN-XX	1.12-1.70	WR650	10%-20%	20/30 /40/50	18	1.15	1.25	FDP14/ FDM14	Al
510WL+CN-XX	1.45-2.20	WR510	10%-20%	20/30 /40/50	18	1.15	1.25	FDP18/ FDM18	Al/Cu
430WL+CN-XX	1.70-2.60	WR430	10%-20%	20/30 /40/50	18	1.15	1.25	FDP22/ FDM22	Al/Cu
340WL+CN-XX	2.20-3.30	WR340	10%-20%	20/30 /40/50	18	1.15	1.25	FDP26/ FDM26	Al/Cu
284WL+CN-XX	2.60-3.95	WR284	10%-20%	20/30 /40/50	18	1.15	1.25	FDP32/ FDM32	Al/Cu
229WL+CN-XX	3.30-4.90	WR229	10%-20%	20/30 /40/50	18	1.15	1.25	FDP40/ FDM40	Al/Cu
187WL+CN-XX	3.95-5.85	WR187	10%-20%	20/30 /40/50	18	1.15	1.25	FDP48/ FDM48	Al/Cu
159WL+CN-XX	4.90-7.05	WR159	10%-20%	20/30 /40/50	18	1.15	1.25	FDP58/ FDM58	Al/Cu
137WL+CN-XX	5.85-8.20	WR137	10%-20%	20/30 /40/50	18	1.15	1.25	FDP70/ FDM70	Al/Cu
112WL+CN-XX	7.05-10.0	WR112	10%-20%	20/30 /40/50	18	1.15	1.25	FBP84/ FBM84/ FBE84	Al/Cu
90WL+CN-XX	8.20-12.4	WR90	10%-20%	20/30 /40/50	18	1.15	1.25	FBP100/ FBM100/ FBE100	Al/Cu
75WL+CS-XX	10.0-15.0	WR75	10%-20%	20/30 /40/50	18	1.15	1.25	FBP120/ FBM120/ FBE120	Al/Cu

P/N	Frequency Range (GHz)	Waveguide	Band Width	Coupling (dB)	Directivity (dB) Min.	VSWR Mainline	VSWR Secondline	Flange	Material
62WL+CS - XX	12.4-18.0	WR62	10%-20%	20/30 /40/50	18	1.15	1.25	FBP140/ FBM140/ FBE140	Al/Cu
51WL+CS - XX	15.0-22.0	WR51	10%-20%	20/30 /40/50	18	1.15	1.25	FBP180/ FBM180/ FBE180	Al/Cu
42WL+CS - XX	18.0-26.5	WR42	10%-20%	20/30 /40/50	18	1.15	1.25	FBP220/ FBM220/ FBE220	Al/Cu
34WL+CS - XX	22.0-33.0	WR34	10%-20%	20/30 /40/50	18	1.15	1.25	FBP260/ FBM260/ FBE260	Al/Cu
28WL+CS - XX	26.5-40.0	WR28	10%-20%	20/30 /40/50	18	1.20	1.25	FBP320/ FBM320/ FBE320	Al/Cu

Ordering Information

P/N:

137 **WL+CN** - **XX**
 WR Size Product Code Coupling (dB)

Example: 137WL+CN -20 is a WR137 waveguide cross coupler(N type Female connector). Coupling is 20dB.

Note:

1. Customization is available;
2. For detailed information of each WL+CN-XX type waveguide cross coupler, please visit the website: www.ainfoinc.com.

AINFO manufactures wide variety of waveguide cross coupler assemblies specially designed for every customers unique requirements. Waveguide Cross Coupler can be assembled with many types of flange. We also offer many other special configurations, length and hole size to meet special requirements.