

Mounting bracket of horn antenna (Two Types)

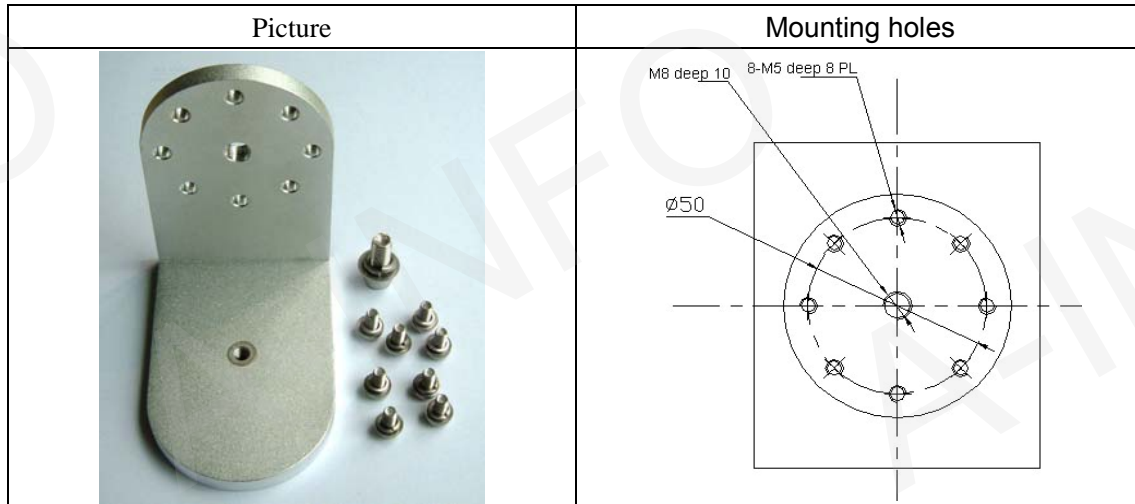
The following mounting brackets are for below horn antennas.

JXTXLB-10180

JXTXLB-2080

NO. 1

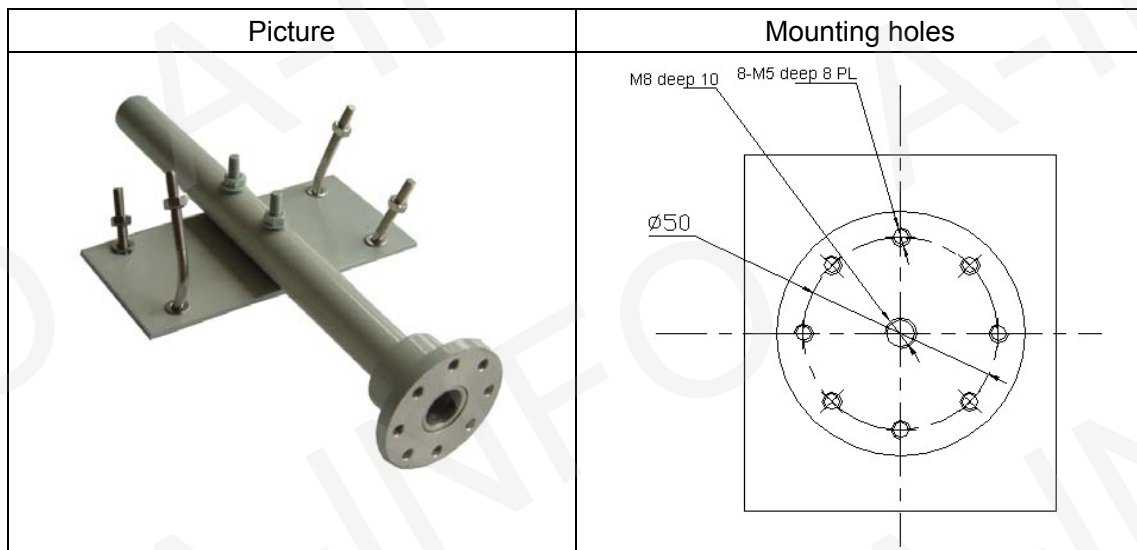
P/N: JJ-01



Including the following parts

Item	Name	Specification	Drawing	Quantity pc/set
1	9-hole back plate	Center hole size: $\Phi 8.5\text{mm}$ 8 small hole size: $\Phi 5.5\text{mm}$ Connecting hole for item 2: $\Phi 4.5\text{mm}$, sink Material: Aluminum alloy, Surface treatment: abrasive blasting	-	1
2	Fixing back plate	Screw thread of connecting with the 9-backplane: M4 Screw thread of connecting with tripod: 1/4"-20 Material: Aluminum alloy, Surface treatment: abrasive blasting	-	1
3	M8 internal hexagonal screw	Stainless steel size: L= 23.5mm	-	1
4	M8 spring gasket	Stainless steel	-	1
5	M8 flat gasket	Stainless steel	-	1
6	M5 crossed screw	Stainless steel L=18mm	-	8
7	M5 spring gasket	Stainless steel	-	8
8	M5 flat gasket	Stainless steel	-	8
9	M4 sink screw	Stainless steel L=12mm For connecting item 1 and item 2.	-	2

NO. 2
P/N: JJ-02



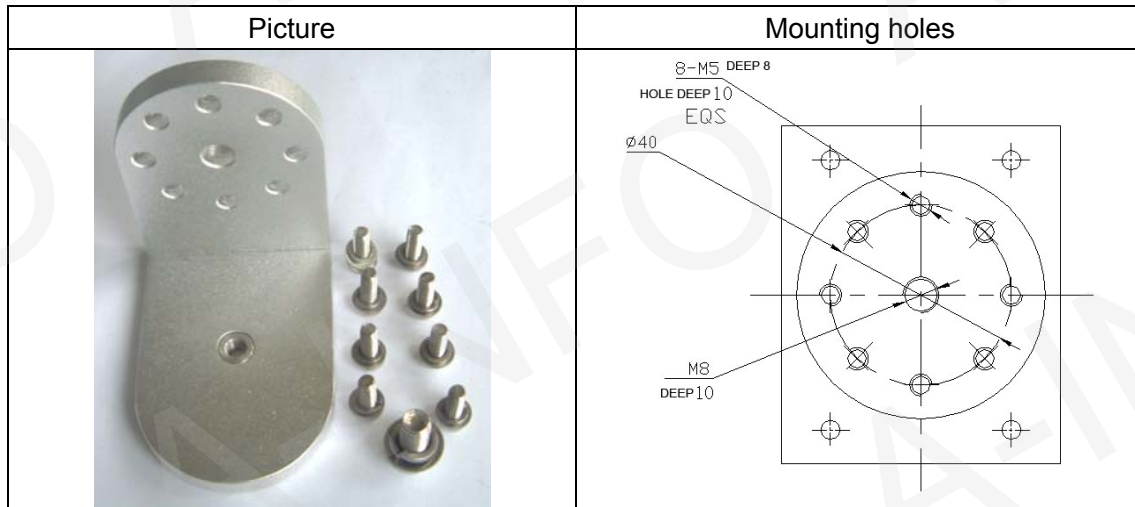
Including the following parts

Item	Name	Specification	Drawing	Quantity pc/set
1	main body of mounting bracket	Using 8-hole flange to connect with antenna Mounting hole diameter: $\Phi 5.5\text{mm}$ Aluminum pole: $\Phi 25\text{mm}$, $L=300\text{mm}$ Fixing board size: $160 \times 80 \times 3\text{mm}$ around Clamp distance: 47mm (the shortest) Clamp hole size: $9 \times 6\text{mm}$, round corner Screw of Fixing the Fixed board and Aluminum pole: 2pcs, M6, 53mm , Each screw has 2pcs spring gasket and flat gasket Aluminum alloy: with white painting	-	1
2	Clamp	Stainless steel: $\Phi 5\text{mm}$ Space between the arms: 54mm Suitable for $32\text{mm} \sim 52\text{mm}$ pole	-	2
3	Clamp flat gasket	Stainless steel	-	4
4	Clamp nut	Stainless steel	-	4

Mounting bracket of horn antenna

The following mounting bracket is for below horn antenna.
JXTXLB-20180

P/N: JJ-04



Including the following parts

Item	Name	Specification	Drawing	Quantity pc/set
1	9-hole back plate	Center hole size: $\Phi 8.5\text{mm}$ 8 small hole size: $\Phi 5.5\text{mm}$ Connecting hole for item 2: $\Phi 4.5\text{mm}$, sink Material: Aluminum alloy, Surface treatment: abrasive blasting	-	1
2	Fixing back plate	Screw thread of connecting with the 9-backplane: M4 Screw thread of connecting with tripod: 1/4"-20 Material: Aluminum alloy, Surface treatment: abrasive blasting	-	1
3	M8 internal hexagonal screw	Stainless steel size: L= 23.5mm	-	1
4	M8 spring gasket	Stainless steel	-	1
5	M8 flat gasket	Stainless steel	-	1
6	M5 crossed screw	Stainless steel L=18mm	-	8
7	M5 spring gasket	Stainless steel	-	8
8	M5 flat gasket	Stainless steel	-	8
9	M4 sink screw	Stainless steel L=12mm For connecting item 1 and item 2.	-	2