

2~18GHz Broadband Spiral Antenna

Models:

JXTXLX-20180 ($\Phi 61.5$)

JXTXLX-20180SA ($\Phi 55$)

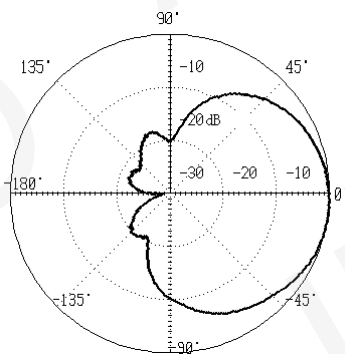
JXTXLX-20180SB ($\Phi 40$)



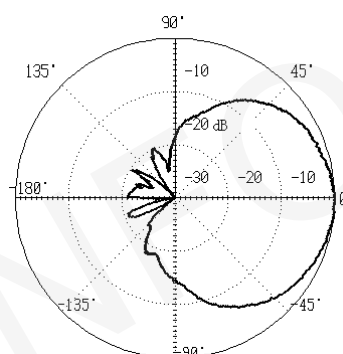
Technical Specification

Model	JXTXLX-20180	JXTXLX-20180SA	JXTXLX-20180SB
Polarization	RHCP	RHCP	RHCP
Frequency (GHz)	2-18	2-18	2-18
Gain (dBi)	-4 @ 2GHz	-6 @ 2GHz	-9 @ 2GHz
	1.6 @ 8GHz	1.6 @ 8GHz	1.6 @ 8GHz
	1.8 @ 18GHz	1.8 @ 18GHz	1.8 @ 18GHz
Beamwidth ($^{\circ}$)	110~55	135~65	125~55
Axial Ratio (dB) Max.	4	6	8
VSWR	3:1	3:1	3:1
Connector	SMA Female	SMA Female	SMA Female
Size (mm)	$\Phi 61.5 \times 50$	$\Phi 55 \times 50$	$\Phi 40 \times 50$

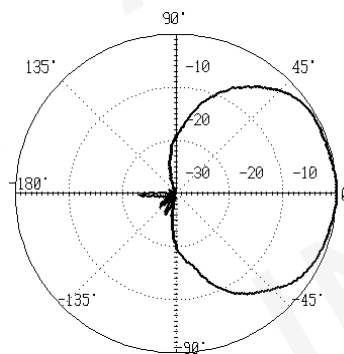
Pattern



Frequency = 2GHz

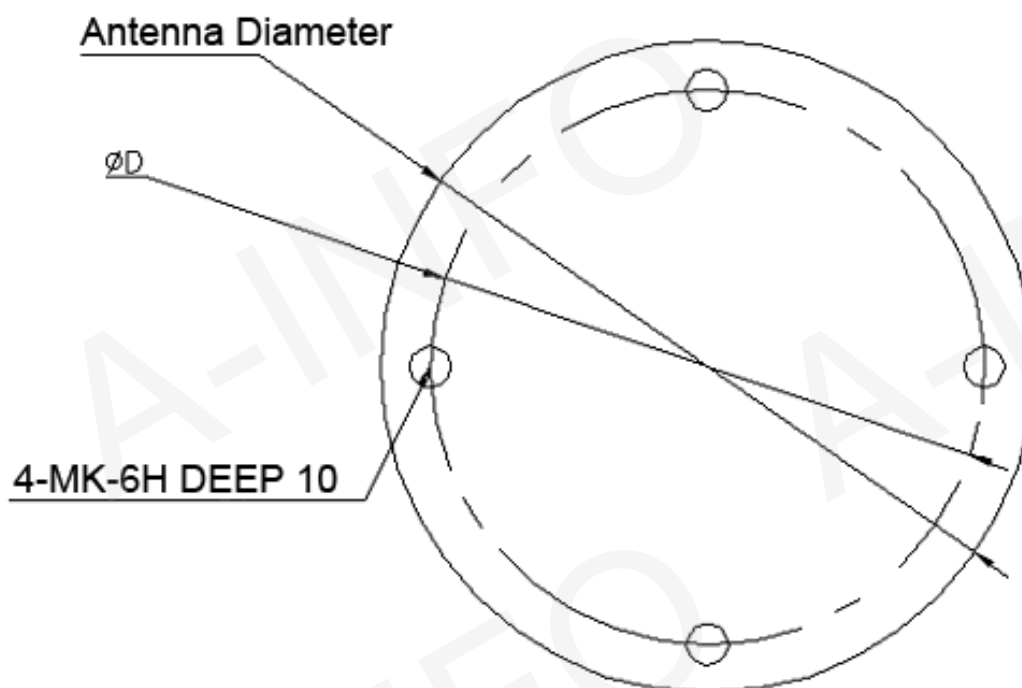


Frequency = 10GHz



Frequency = 18GHz

Mounting



Model	D	K
JTXLX-20180	40	4
JTXLX-20180SA	40	4
JTXLX-20180SB	34	3