

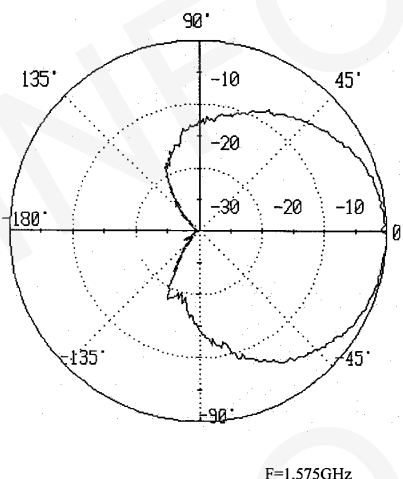
GPS Antenna

GPS L1 Survey Antenna

P/N: JXTXGPS-L1



Pattern



Technical Specifications

Frequency	1575.42MHz±5MHz
Pattern	Azimuth: Omni Directional Elevation: Hemispherical
Elevation Pattern	$\theta=0^\circ$ (zenith) +7dBic
	$0^\circ < \theta \leq 70^\circ$ -2dBic
	$70^\circ < \theta \leq 85^\circ$ -6dBic
	$85^\circ < \theta \leq 90^\circ$ -7.5dBic
LNA Gain	$27 \pm 2\text{dB}/45 \pm 2\text{dB}$ (customized gain available)
Polarization	Right-hand circular
Axial Ratio	$\leq 3\text{dB}$
Noise Figure	$\leq 1.5\text{dB}$
Phase Center Error	$\pm 2\text{mm}$
Output Impedance	50Ω
VSWR	$\leq 1.5:1$
Power Supply	Voltage: 3~5V DC
	Current: $\leq 20\text{mA}$
Connector Type	TNC (customized connector type available)
Size	$\Phi 178\text{mm} \times 67\text{mm}$
Weight	$\approx 350\text{g}$
Operation Temperature	$-40^\circ\text{C} \sim +85^\circ\text{C}$
Storage Temperature	$-55^\circ\text{C} \sim +85^\circ\text{C}$
Fixing	5/8 Inch Screw