

## Isolator and Circulator



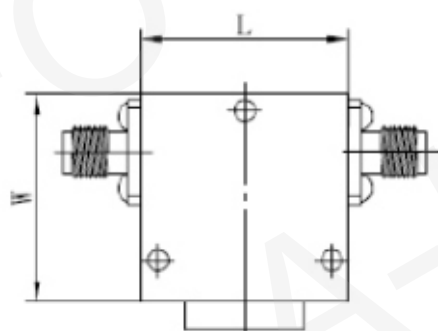
Coaxial

### Coaxial Isolator 0.06 to 18GHz

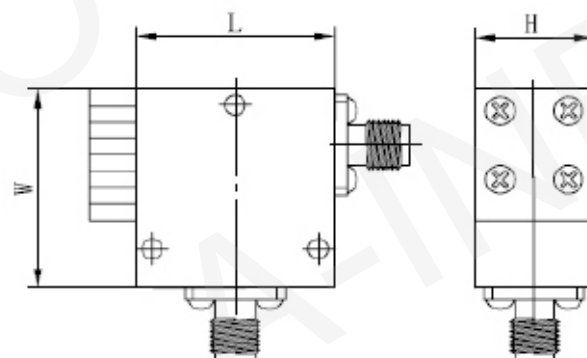
P/N	Freq. Range (GHz)	Band Width (MHz)	Insertion Loss (dB) max	Isolation (dB) min	VSWR max	Forward Power (W) CW	Reverse Power (W) CW	Connector	Size L x W x H (mm)	Case
JXWBGL-T-60-120-20-30	0.06-0.12	10	0.8	20	1.20	30	10	SMA/N	40x40x26	GL-T-1/GL-T-2
JXWBGL-T-120-180-20-30	0.12-0.18	25	0.6	20	1.20	30	10	SMA/N	40x40x26	GL-T-1/GL-T-2
JXWBGL-T-180-300-20-30	0.18-0.3	50	0.5	20	1.20	30	10	SMA/N	40x40x26	GL-T-1/GL-T-2
JXWBGL-T-280-450-23-500	0.28-0.45	15	0.3	23	1.20	30/500	5/100	SMA/N	45x50x20	GL-T-1/GL-T-2
JXWBGL-T-450-600-23-150	0.45-0.6	15	0.3	23	1.20	30/150	5/60	SMA/N	35x38x20	GL-T-1/GL-T-2
JXWBGL-T-450-1300-25-500	0.45-1.3	100	0.3	25	1.15	30/500	5/100	SMA/N	45x50x20	GL-T-1/GL-T-2
JXWBGL-T-600-1300-25-150	0.6-1.3	70	0.3	25	1.15	30/150	5/60	SMA/N	35x38x20	GL-T-1/GL-T-2
JXWBGL-T-800-1500-25-100	0.8-1.5	70	0.25	25	1.15	30/100	5/60	SMA/N	30x33x15	GL-T-1/GL-T-2
JXWBGL-T-800-1500-20-100	0.8-1.5	200	0.4	20	1.20	30/100	5/60	SMA/N	30x33x15	GL-T-1/GL-T-2
JXWBGL-T-800-2300-25-60	0.8-2.3	70	0.3	25	1.15	10/60	5/30	SMA/N	25.4x28.5x15	GL-T-1/GL-T-2
JXWBGL-T-900-2600-25-50	0.9-2.6	30	0.25	25	1.15	10/50	10	SMA	20x22x13	GL-T-1/GL-T-2
JXWBGL-T-1900-2500-23-60	1.9-2.5	200	0.3	23	1.20	10/60	5/30	SMA/N	25.4x28.5x15	GL-T-1/GL-T-2
JXWBGL-T-2200-3000-23-50	2.2-3.0	200	0.3	23	1.20	10/50	10	SMA	22x26x15	GL-T-1/GL-T-2
JXWBGL-T-3000-4500-25-50	3.0-4.5	200	0.25	25	1.15	10/50	10	SMA	22x26x15	GL-T-1/GL-T-2
JXWBGL-T-3000-4500-23-50	3.0-4.5	400	0.3	23	1.20	10/50	10	SMA	22x26x15	GL-T-1/GL-T-2
JXWBGL-T-4300-7400-23-50	4.3-7.4	300	0.3	23	1.20	10/50	10	SMA	19x19x13	GL-T-1/GL-T-2
JXWBGL-T-4300-7400-20-50	4.3-7.4	600	0.3	20	1.20	10/50	10	SMA	19x19x13	GL-T-1/GL-T-2
JXWBGL-T-7000-12000-23-10	7.0-12	400	0.3	23	1.20	10	5	SMA	13x17x13	GL-T-1/GL-T-2
JXWBGL-T-7000-12000-20-10	7.0-12	800	0.4	20	1.20	10	5	SMA	13x17x13	GL-T-1/GL-T-2
JXWBGL-T-12000-18000-23-10	12-18	600	0.3	23	1.20	10	5	SMA	11x14x13	GL-T-1/GL-T-2
JXWBGL-T-12000-18000-20-10	12-18	1000	0.4	20	1.20	10	5	SMA	11x14x13	GL-T-1/GL-T-2

**Notes:**

1. Operating Temperature: -40 °C to +85 °C



GL-T-1



GL-T-2

## Isolator and Circulator

Coaxial

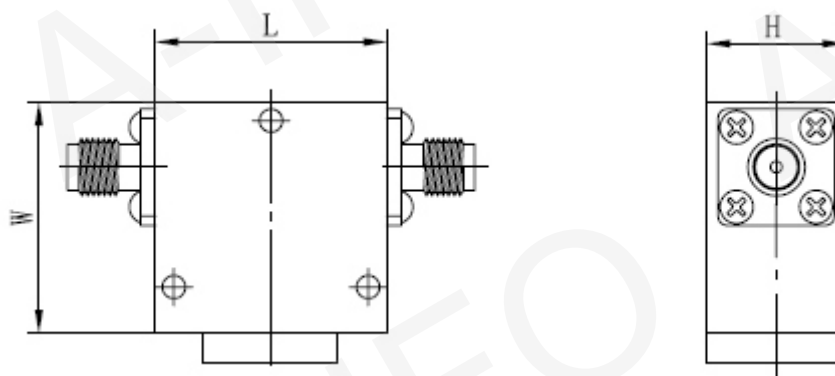


Coaxial Isolator 0.61 to 18GHz

P/N	Freq. Range (GHz)	Band Width (MHz)	Insertion Loss (dB) max	Isolation (dB) min	VSWR max	Forward Power (W) CW	Reverse Power (W) CW	Connector	Size L x W x H (mm)	Case
JXWBGL-T-610-960-16-200	0.61-0.96	FULL	0.5	16	1.40	200	60	SMA/N	56x56x24	GL-T-1
JXWBGL-T-950-1220-20-150	0.95-1.22	FULL	0.4	20	1.20	150	60	SMA	25.4x25.4x15	GL-T-1
JXWBGL-T-1000-1700-16-200	1.0-1.7	FULL	0.6	16	1.40	200	60	SMA/N	66x66x23	GL-T-1
JXWBGL-T-1350-1850-20-60	1.35-1.85	FULL	0.4	20	1.25	60	30	SMA	25x30x13	GL-T-1
JXWBGL-T-1700-2500-20-150	1.7-2.5	FULL	0.4	20	1.25	150	60	SMA/N	40x40x23	GL-T-1
JXWBGL-T-2000-4000-18-100	2.0-4.0	FULL	0.6	18	1.35	100	50	SMA	30.5x30.5x19	GL-T-1
JXWBGL-T-2500-3000-23-150	2.5-3.0	FULL	0.3	23	1.15	150	60	SMA	25.4x25.4x15	GL-T-1
JXWBGL-T-3000-4000-20-150	3.0-4.0	FULL	0.4	20	1.25	150	60	SMA	25.4x25.4x15	GL-T-1
JXWBGL-T-3000-6000-18-100	3.0-6.0	FULL	0.6	18	1.35	100	50	SMA	30.5x30.5x19	GL-T-1
JXWBGL-T-8000-12000-20-20	8.0-12	FULL	0.5	20	1.25	20	5	SMA	11x14x13	GL-T-1
JXWBGL-T-12000-18000-18-20	12-18	FULL	0.6	18	1.30	20	5	SMA	11x14x13	GL-T-1

**Notes:**

1. Operating Temperature: -40 °C to +85 °C



GL-T-1

## Isolator and Circulator

Drop-In

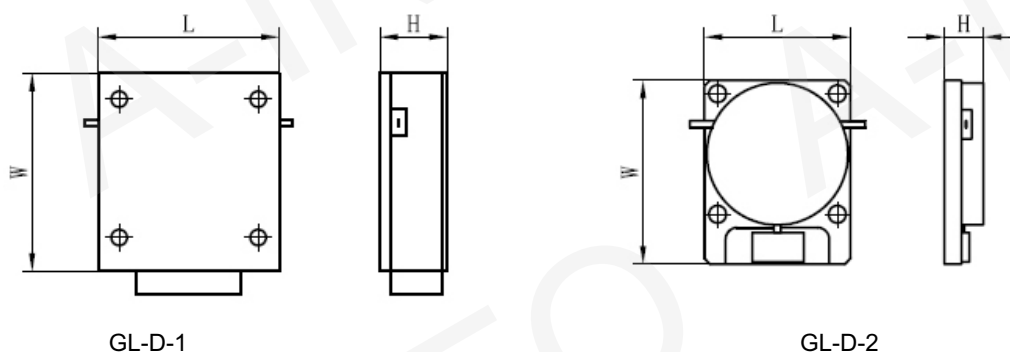


### Drop-In Isolator 0.06 to 18GHz

P/N	Freq. Range (GHz)	Band Width (MHz)	Insertion Loss (dB) max	Isolation (dB) min	VSWR max	Forward Power (W) CW	Reverse Power (W) CW	Connector	Size L x W x H (mm)	Case
JXWBGL-D-60-120-20-30	0.06-0.12	10	0.8	20	1.20	30	10	Drop In	40x40x26	GL-D-1/GL-D-2
JXWBGL-D-120-180-20-30	0.12-0.18	25	0.6	20	1.20	30	10	Drop In	40x40x26	GL-D-1/GL-D-2
JXWBGL-D-180-300-20-30	0.18-0.3	50	0.5	20	1.20	30	10	Drop In	40x40x26	GL-D-1/GL-D-2
JXWBGL-D-280-450-23-500	0.28-0.45	15	0.3	23	1.20	30/500	5/100	Drop In	45x50x16.5	GL-D-1/GL-D-2
JXWBGL-D-450-600-23-150	0.45-0.6	15	0.3	23	1.20	30/150	5/60	Drop In	35x38x13	GL-D-1/GL-D-2
JXWBGL-D-450-1300-25-500	0.45-1.3	100	0.3	25	1.15	30/500	5/100	Drop In	45x50x16.5	GL-D-1/GL-D-2
JXWBGL-D-600-1300-25-150	0.6-1.3	70	0.3	25	1.15	30/150	5/60	Drop In	35x38x13	GL-D-1/GL-D-2
JXWBGL-D-800-1300-25-100-1	0.8-1.3	30	0.3	25	1.15	10/100	5/30	Drop In	25.4x31.7x6.8	GL-D-1/GL-D-2
JXWBGL-D-800-1300-25-100-2	0.8-1.3	30	0.25	25	1.15	10/100	5/30	Drop In	25.4x25.4x12	GL-D-1/GL-D-2
JXWBGL-D-800-1300-23-30	0.8-1.3	30	0.3	23	1.20	30	10	Drop In	20x20x9	GL-D-1/GL-D-2
JXWBGL-D-800-1500-25-100	0.8-1.5	70	0.25	25	1.15	30/100	5/60	Drop In	30x33x13	GL-D-1/GL-D-2
JXWBGL-D-800-1500-20-100	0.8-1.5	200	0.4	20	1.20	30/100	5/60	Drop In	30x33x13	GL-D-1/GL-D-2
JXWBGL-D-1300-2600-25-30	1.3-2.6	30	0.3	25	1.15	30	10	Drop In	20x22x11	GL-D-1/GL-D-2
JXWBGL-D-1500-2600-23-30	1.5-2.6	30	0.3	23	1.20	30	10	Drop In	15x16.5x8	GL-D-1/GL-D-2
JXWBGL-D-1700-2600-25-30	1.7-2.6	30	0.25	25	1.15	30	10	Drop In	19x19x8.8	GL-D-1/GL-D-2
JXWBGL-D-1700-2600-23-30	1.7-2.6	70	0.3	23	1.20	30	10	Drop In	19x19x8.8	GL-D-1/GL-D-2
JXWBGL-D-1900-2500-23-100	1.9-2.5	70	0.3	23	1.20	10/100	5/30	Drop In	25.4x31.7x6.8	GL-D-1/GL-D-2
JXWBGL-D-2500-4600-23-30	2.5-4.6	200	0.3	23	1.20	30	10	Drop In	18x25x10	GL-D-1/GL-D-2
JXWBGL-D-4500-7600-20-20	4.5-7.6	400	0.3	20	1.20	20	10	Drop In	16x18x8.6	GL-D-1/GL-D-2
JXWBGL-D-7500-12000-20-10	7.5-12	600	0.3	20	1.20	10	5	Drop In	13x17x8.6	GL-D-1/GL-D-2
JXWBGL-D-12000-18000-20-10	12-18	400	0.3	20	1.20	10	5	Drop In	9x14x7.8	GL-D-1/GL-D-2
JXWBGL-D-12000-18000-20-10	12-18	600	0.3	20	1.20	10	5	Drop In	11x14x8.6	GL-D-1/GL-D-2
JXWBGL-D-950-1220-20-150	0.95-1.22	FULL	0.4	20	1.20	150	60	Drop In	25.4x25.4x15	GL-D-1
JXWBGL-D-1350-1850-20-60	1.35-1.85	FULL	0.4	20	1.25	60	30	Drop In	25x30x13	GL-D-1
JXWBGL-D-1500-1900-20-30	1.5-1.9	FULL	0.4	20	1.25	30	20	Drop In	20x20x10	GL-D-1
JXWBGL-D-2000-4000-18-100	2.0-4.0	FULL	0.6	18	1.35	100	50	Drop In	30.5x30.5x19	GL-D-1
JXWBGL-D-2500-3000-23-150	2.5-3.0	FULL	0.3	23	1.15	150	60	Drop In	25.4x25.4x15	GL-D-1
JXWBGL-D-3000-4000-20-150	3.0-4.0	FULL	0.4	20	1.25	150	60	Drop In	25.4x25.4x15	GL-D-1
JXWBGL-D-3000-6000-18-100	3.0-6.0	FULL	0.6	18	1.35	100	50	Drop In	30.5x30.5x19	GL-D-1
JXWBGL-D-4000-8000-17-50	4.0-8.0	FULL	0.6	17	1.40	50	20	Drop In	19x19x13	GL-D-1
JXWBGL-D-8000-12000-20-20	8.0-12.0	FULL	0.5	20	1.25	20	5	Drop In	11x14x13	GL-D-1
JXWBGL-D-12000-18000-18-20	12.0-18.0	FULL	0.6	18	1.30	20	5	Drop In	11x14x13	GL-D-1

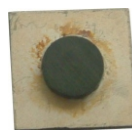
#### Notes:

1. Operating Temperature: -40 °C to +85 °C



## Isolator and Circulator

Substrate

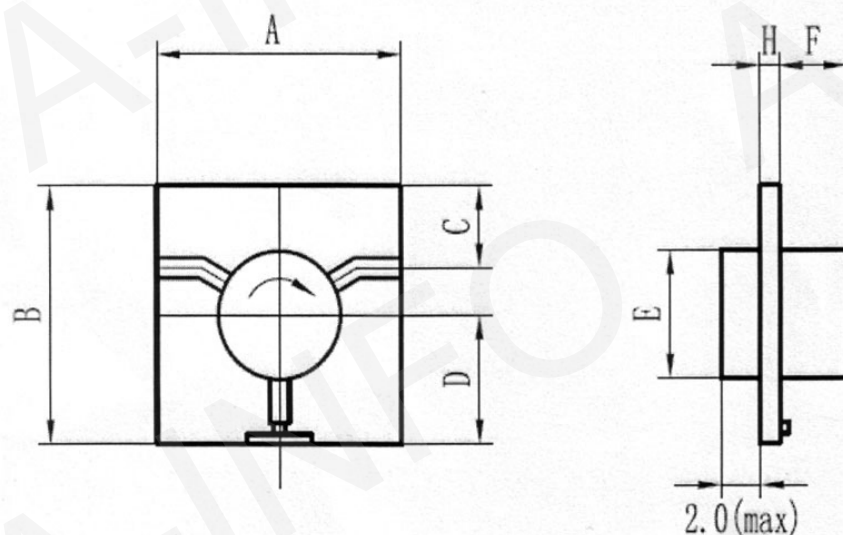


### Substrate Isolator 3.6 to 13GHz

P/N	Freq. Range (GHz)	Insertion Loss (dB) max	Isolation (dB) min	VSWR max	Forward Power (W) CW	Reverse Power (W) CW	Substrate Size A x B x H (mm)	Size C x D x E x F (mm)	Case
JXWBGL-J-3600-4200-20-10	3.6-4.2	0.4	20	1.20	10	2	18.98x18.98x1.02	5.0x10.0x3.0x9.5	GL-J-1
JXWBGL-J-4400-5000-20-10-1	4.4-5.0	0.4	20	1.22	10	2	15x17.5x1.90	3.0x10.5x3.0x11.0	GL-J-1
JXWBGL-J-4400-5000-20-10-2	4.4-5.0	0.4	20	1.20	10	2	12.62x12.62x1.02	4.0x6.3x3.5x6.5	GL-J-1
JXWBGL-J-5900-6500-20-10	5.9-6.5	0.4	20	1.20	10	2	12.62x12.62x1.02	4.0x6.3x3.0x6.5	GL-J-1
JXWBGL-J-6400-7170-20-10	6.4-7.17	0.4	20	1.20	10	2	12.62x12.62x1.02	4.0x6.3x3.0x6.5	GL-J-1
JXWBGL-J-7100-7700-18-10	7.1-7.7	0.5	18	1.25	10	2	12.62x12.62x1.02	4.0x6.3x3.0x6.5	GL-J-1
JXWBGL-J-7100-7700-20-10	7.1-7.7	0.4	20	1.20	10	2	12.62x12.62x1.02	4.0x6.3x3.0x6.5	GL-J-1
JXWBGL-J-7700-8500-18-10	7.7-8.5	0.5	18	1.25	10	2	12.62x12.62x1.02	4.0x6.3x3.0x6.5	GL-J-1
JXWBGL-J-7700-8500-20-10	7.7-8.5	0.4	20	1.20	10	2	12.62x12.62x1.02	4.0x6.3x3.0x6.5	GL-J-1
JXWBGL-J-10500-13000-16-10	10.5-13.0	0.6	16	1.30	10	2	8.17x12.62x0.51	2.85x7.95x3.0x3.7	GL-J-1
JXWBGL-J-10500-13000-20-10	10.5-13.0	0.4	20	1.25	10	2	8.17x12.62x0.51	2.85x7.95x3.0x3.7	GL-J-1

#### Notes:

1. Operating Temperature: -40 °C to +85 °C

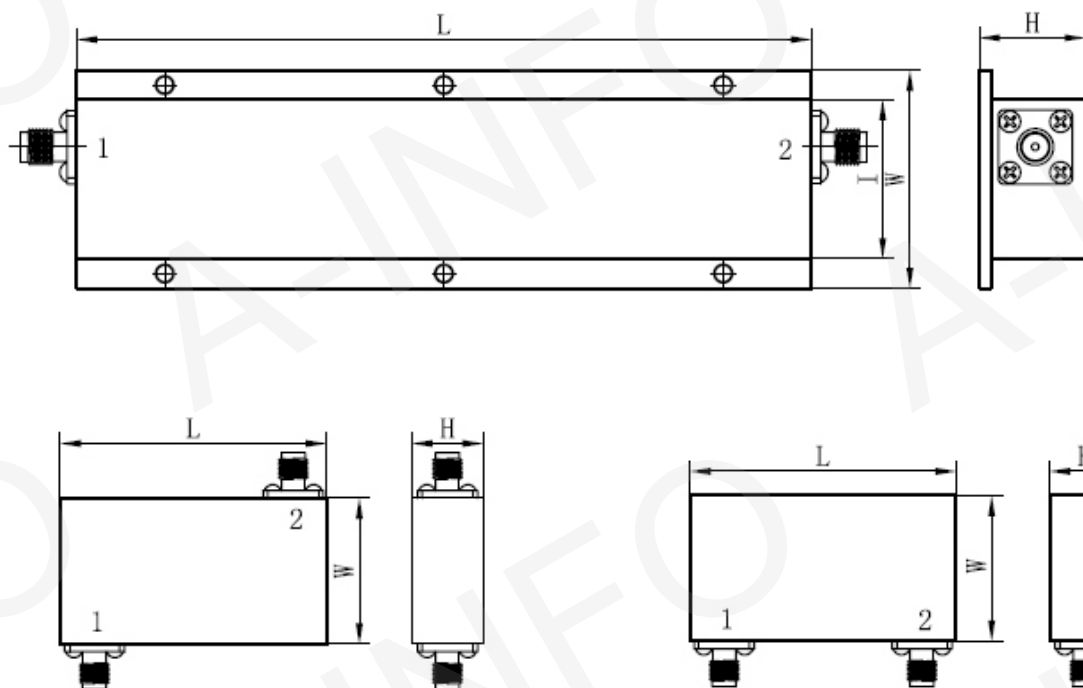


GL-J-1

## Isolator and Circulator

Coaxial & Drop-In

### High Isolation Isolator



#### High Isolation Isolator Features:

1. Frequency Range: 0.3 ~ 18GHz
2. Small Size
3. Low Insertion Loss
4. Low Voltage Standing Wave Ratio(VSWR)
5. High Isolation
6. Good Phase Consistency
7. Stability and Reliability
8. High Power Handling

#### Notes:

1. Customization is available
2. Outline drawing above is for reference