

Isolator and Circulator



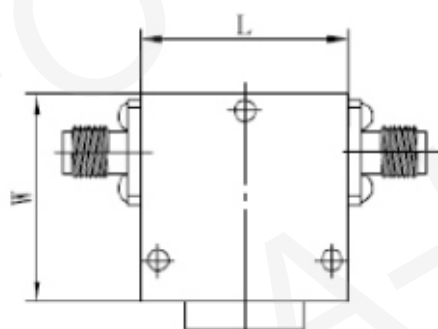
Coaxial

Coaxial Isolator 0.06 to 18GHz

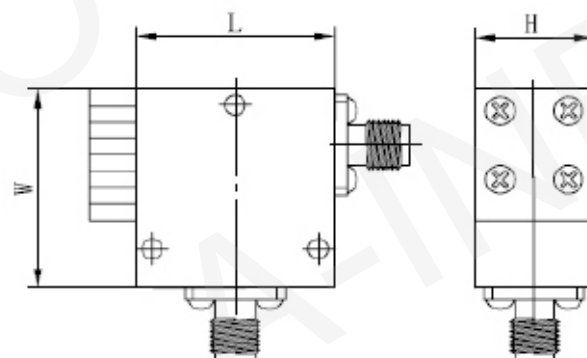
P/N	Freq. Range (GHz)	Band Width (MHz)	Insertion Loss (dB) max	Isolation (dB) min	VSWR max	Forward Power (W) CW	Reverse Power (W) CW	Connector	Size L x W x H (mm)	Case
JXWBGL-T-60-120-20-30	0.06-0.12	10	0.8	20	1.20	30	10	SMA/N	40x40x26	GL-T-1/GL-T-2
JXWBGL-T-120-180-20-30	0.12-0.18	25	0.6	20	1.20	30	10	SMA/N	40x40x26	GL-T-1/GL-T-2
JXWBGL-T-180-300-20-30	0.18-0.3	50	0.5	20	1.20	30	10	SMA/N	40x40x26	GL-T-1/GL-T-2
JXWBGL-T-280-450-23-500	0.28-0.45	15	0.3	23	1.20	30/500	5/100	SMA/N	45x50x20	GL-T-1/GL-T-2
JXWBGL-T-450-600-23-150	0.45-0.6	15	0.3	23	1.20	30/150	5/60	SMA/N	35x38x20	GL-T-1/GL-T-2
JXWBGL-T-450-1300-25-500	0.45-1.3	100	0.3	25	1.15	30/500	5/100	SMA/N	45x50x20	GL-T-1/GL-T-2
JXWBGL-T-600-1300-25-150	0.6-1.3	70	0.3	25	1.15	30/150	5/60	SMA/N	35x38x20	GL-T-1/GL-T-2
JXWBGL-T-800-1500-25-100	0.8-1.5	70	0.25	25	1.15	30/100	5/60	SMA/N	30x33x15	GL-T-1/GL-T-2
JXWBGL-T-800-1500-20-100	0.8-1.5	200	0.4	20	1.20	30/100	5/60	SMA/N	30x33x15	GL-T-1/GL-T-2
JXWBGL-T-800-2300-25-60	0.8-2.3	70	0.3	25	1.15	10/60	5/30	SMA/N	25.4x28.5x15	GL-T-1/GL-T-2
JXWBGL-T-900-2600-25-50	0.9-2.6	30	0.25	25	1.15	10/50	10	SMA	20x22x13	GL-T-1/GL-T-2
JXWBGL-T-1900-2500-23-60	1.9-2.5	200	0.3	23	1.20	10/60	5/30	SMA/N	25.4x28.5x15	GL-T-1/GL-T-2
JXWBGL-T-2200-3000-23-50	2.2-3.0	200	0.3	23	1.20	10/50	10	SMA	22x26x15	GL-T-1/GL-T-2
JXWBGL-T-3000-4500-25-50	3.0-4.5	200	0.25	25	1.15	10/50	10	SMA	22x26x15	GL-T-1/GL-T-2
JXWBGL-T-3000-4500-23-50	3.0-4.5	400	0.3	23	1.20	10/50	10	SMA	22x26x15	GL-T-1/GL-T-2
JXWBGL-T-4300-7400-23-50	4.3-7.4	300	0.3	23	1.20	10/50	10	SMA	19x19x13	GL-T-1/GL-T-2
JXWBGL-T-4300-7400-20-50	4.3-7.4	600	0.3	20	1.20	10/50	10	SMA	19x19x13	GL-T-1/GL-T-2
JXWBGL-T-7000-12000-23-10	7.0-12	400	0.3	23	1.20	10	5	SMA	13x17x13	GL-T-1/GL-T-2
JXWBGL-T-7000-12000-20-10	7.0-12	800	0.4	20	1.20	10	5	SMA	13x17x13	GL-T-1/GL-T-2
JXWBGL-T-12000-18000-23-10	12-18	600	0.3	23	1.20	10	5	SMA	11x14x13	GL-T-1/GL-T-2
JXWBGL-T-12000-18000-20-10	12-18	1000	0.4	20	1.20	10	5	SMA	11x14x13	GL-T-1/GL-T-2

Notes:

1. Operating Temperature: -40 °C to +85 °C



GL-T-1



GL-T-2