

Isolator and Circulator



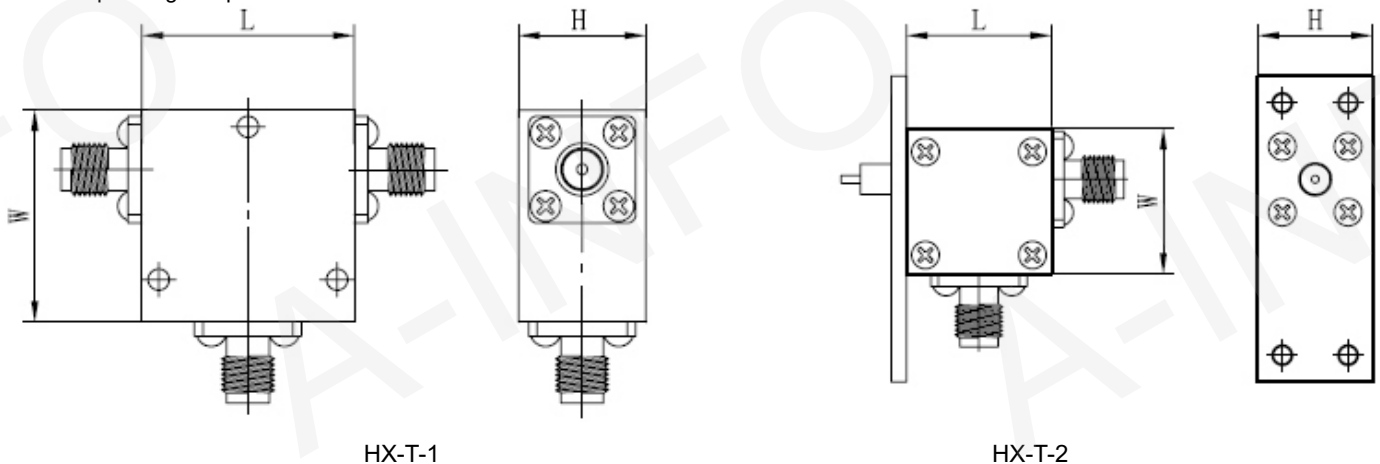
Coaxial

Narrowband Circulator 0.06 to 18GHz

P/N	Freq. Range (GHz)	Band Width (MHz)	Insertion Loss (dB) max	Isolation (dB) min	VSWR max	Forward Power (W) CW	Reverse Power (W) CW	Connector	Size L x W x H (mm)	Case
JXWBHX-T-60-120-20-30	0.06-0.12	10	0.8	20	1.20	30	10	SMA/N	40x40x26	HX-T-1/HX-T-2
JXWBHX-T-120-180-20-30	0.12-0.18	25	0.6	20	1.20	30	10	SMA/N	40x40x26	HX-T-1/HX-T-2
JXWBHX-T-180-300-20-30	0.18-0.3	50	0.5	20	1.20	30	10	SMA/N	40x40x26	HX-T-1/HX-T-2
JXWBHX-T-280-450-23-500	0.28-0.45	15	0.3	23	1.20	30/500	5/100	SMA/N	45x50x20	HX-T-1/HX-T-2
JXWBHX-T-450-600-23-150	0.45-0.6	15	0.3	23	1.20	30/150	5/60	SMA/N	35x38x20	HX-T-1/HX-T-2
JXWBHX-T-450-1300-25-500	0.45-1.3	100	0.3	25	1.15	30/500	5/100	SMA/N	45x50x20	HX-T-1/HX-T-2
JXWBHX-T-600-1300-25-150	0.6-1.3	70	0.3	25	1.15	30/150	5/60	SMA/N	35x38x20	HX-T-1/HX-T-2
JXWBHX-T-800-1500-25-100	0.8-1.5	70	0.25	25	1.15	30/100	5/60	SMA/N	30x33x15	HX-T-1/HX-T-2
JXWBHX-T-800-1500-20-100	0.8-1.5	200	0.4	20	1.20	30/100	5/60	SMA/N	30x33x15	HX-T-1/HX-T-2
JXWBHX-T-800-2300-25-60	0.8-2.3	70	0.3	25	1.15	10/60	5/30	SMA/N	25.4x28.5x15	HX-T-1/HX-T-2
JXWBHX-T-900-2600-25-50	0.9-2.6	30	0.25	25	1.15	10/50	10	SMA	20x22x13	HX-T-1/HX-T-2
JXWBHX-T-1900-2500-23-60	1.9-2.5	200	0.3	23	1.20	10/60	5/30	SMA/N	25.4x28.5x15	HX-T-1/HX-T-2
JXWBHX-T-2200-3000-23-50	2.2-3.0	200	0.3	23	1.20	10/50	10	SMA	22x26x15	HX-T-1/HX-T-2
JXWBHX-T-3000-4500-25-50	3.0-4.5	200	0.25	25	1.15	10/50	10	SMA	22x26x15	HX-T-1/HX-T-2
JXWBHX-T-3000-4500-23-50	3.0-4.5	400	0.3	23	1.20	10/50	10	SMA	22x26x15	HX-T-1/HX-T-2
JXWBHX-T-4300-7400-23-50	4.3-7.4	300	0.3	23	1.20	10/50	10	SMA	19x19x13	HX-T-1/HX-T-2
JXWBHX-T-4300-7400-20-50	4.3-7.4	600	0.3	20	1.20	10/50	10	SMA	19x19x13	HX-T-1/HX-T-2
JXWBHX-T-7000-12000-23-10	7.0-12	400	0.3	23	1.20	10	5	SMA	13x17x13	HX-T-1/HX-T-2
JXWBHX-T-7000-12000-20-10	7.0-12	800	0.4	20	1.20	10	5	SMA	13x17x13	HX-T-1/HX-T-2
JXWBHX-T-12000-18000-23-10	12-18	600	0.3	23	1.20	10	5	SMA	11x14x13	HX-T-1/HX-T-2
JXWBHX-T-12000-18000-20-10	12-18	1000	0.4	20	1.20	10	5	SMA	11x14x13	HX-T-1/HX-T-2

Notes:

1. Operating Temperature: -40 °C to +85 °C



Isolator and Circulator



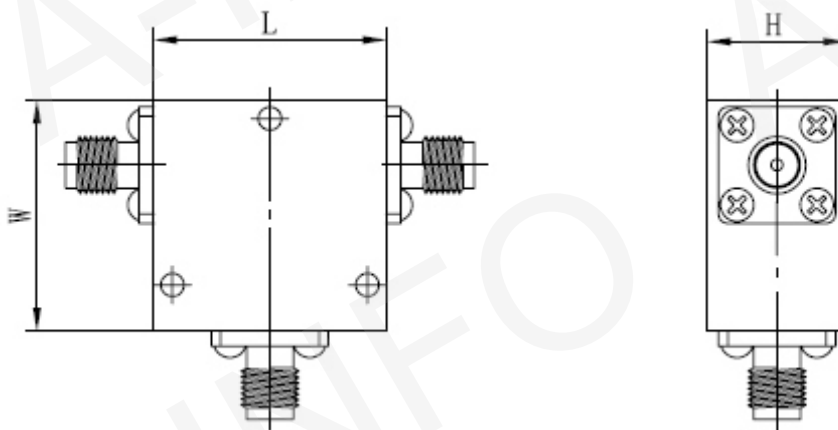
Coaxial

Wideband Circulator 0.61 to 18GHz

P/N	Freq. Range (GHz)	Band Width (MHz)	Insertion Loss (dB) max	Isolation (dB) min	VSWR max	Forward Power (W) CW	Reverse Power (W) CW	Connector	Size L x W x H (mm)	Case
JXWBHX-T-610-960-16-200	0.61-0.96	FULL	0.5	16	1.40	200	60	SMA/N	56x56x24	HX-T-1
JXWBHX-T-950-1220-20-150	0.95-1.22	FULL	0.4	20	1.20	150	60	SMA	25.4x25.4x15	HX-T-1
JXWBHX-T-1000-1700-16-200	1.0-1.7	FULL	0.6	16	1.40	200	60	SMA/N	66x66x23	HX-T-1
JXWBHX-T-1350-1850-20-60	1.35-1.85	FULL	0.4	20	1.25	60	30	SMA	25x30x13	HX-T-1
JXWBHX-T-1700-2500-20-150	1.7-2.5	FULL	0.4	20	1.25	150	60	SMA/N	40x40x23	HX-T-1
JXWBHX-T-2000-4000-18-100	2.0-4.0	FULL	0.6	18	1.35	100	50	SMA	30.5x30.5x19	HX-T-1
JXWBHX-T-2500-3000-23-150	2.5-3.0	FULL	0.3	23	1.15	150	60	SMA	25.4x25.4x15	HX-T-1
JXWBHX-T-3000-4000-20-150	3.0-4.0	FULL	0.4	20	1.25	150	60	SMA	25.4x25.4x15	HX-T-1
JXWBHX-T-3000-6000-18-100	3.0-6.0	FULL	0.6	18	1.35	100	50	SMA	30.5x30.5x19	HX-T-1
JXWBHX-T-8000-12000-20-20	8.0-12	FULL	0.5	20	1.25	20	5	SMA	11x14x13	HX-T-1
JXWBHX-T-12000-18000-18-20	12-18	FULL	0.6	18	1.30	20	5	SMA	11x14x13	HX-T-1

Notes:

- Operating Temperature: -40 °C to +85 °C



HX-T-1

Isolator and Circulator



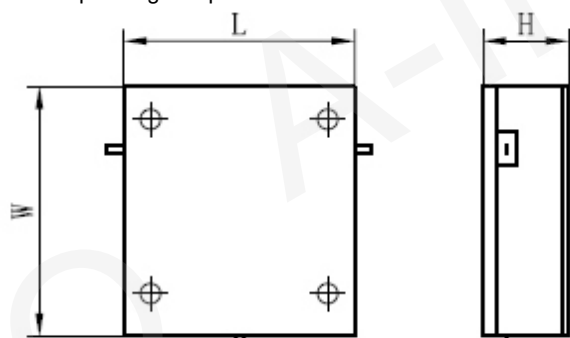
Drop-In

Drop-In Circulator 0.06 to 18GHz

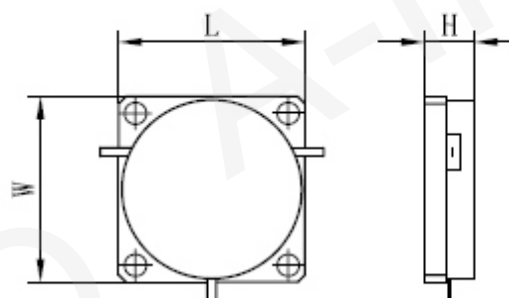
P/N	Freq. Range (GHz)	Band Width (MHz)	Insertion Loss (dB) max	Isolation (dB) min	VSWR max	Forward Power (W) CW	Reverse Power (W) CW	Connector	Size L x W x H (mm)	Case
JXWBHX-D-60-120-20-30	0.06-0.12	10	0.8	20	1.20	30	10	Drop In	40x40x26	HX-D-1/HX-D-2
JXWBHX-D-120-180-20-30	0.12-0.18	25	0.6	20	1.20	30	10	Drop In	40x40x26	HX-D-1/HX-D-2
JXWBHX-D-180-300-20-30	0.18-0.3	50	0.5	20	1.20	30	10	Drop In	40x40x26	HX-D-1/HX-D-2
JXWBHX-D-280-450-23-500	0.28-0.45	15	0.3	23	1.20	30/500	5/100	Drop In	45x50x16.5	HX-D-1/HX-D-2
JXWBHX-D-450-600-23-150	0.45-0.6	15	0.3	23	1.20	30/150	5/60	Drop In	35x38x13	HX-D-1/HX-D-2
JXWBHX-D-450-1300-25-500	0.45-1.3	100	0.3	25	1.15	30/500	5/100	Drop In	45x50x16.5	HX-D-1/HX-D-2
JXWBHX-D-600-1300-25-150	0.6-1.3	70	0.3	25	1.15	30/150	5/60	Drop In	35x38x13	HX-D-1/HX-D-2
JXWBHX-D-800-1300-30-25-60-1	0.8-1.3	30	0.3	25	1.15	10/60	5/30	Drop In	25.4x25.4x6.8	HX-D-1/HX-D-2
JXWBHX-D-800-1300-30-25-60-2	0.8-1.3	30	0.25	25	1.15	10/60	5/30	Drop In	25.4x25.4x12	HX-D-1/HX-D-2
JXWBHX-D-800-1300-30-23-30	0.8-1.3	30	0.3	23	1.20	30	20	Drop In	20x20x9	HX-D-1/HX-D-2
JXWBHX-D-800-1500-25-100	0.8-1.5	70	0.25	25	1.15	30/100	5/60	Drop In	30x33x13	HX-D-1/HX-D-2
JXWBHX-D-800-1500-20-100	0.8-1.5	200	0.4	20	1.20	30/100	5/60	Drop In	30x33x13	HX-D-1/HX-D-2
JXWBHX-D-1300-2600-25-30	1.3-2.6	30	0.3	25	1.15	30	20	Drop In	20x22x11	HX-D-1/HX-D-2
JXWBHX-D-1500-2600-23-10	1.5-2.6	30	0.3	23	1.20	10	5	Drop In	15x16.5x8	HX-D-1/HX-D-2
JXWBHX-D-1700-2600-25-30	1.7-2.6	30	0.25	25	1.15	30	20	Drop In	19x19x8.8	HX-D-1/HX-D-2
JXWBHX-D-1700-2600-23-30	1.7-2.6	70	0.3	23	1.20	30	20	Drop In	19x19x8.8	HX-D-1/HX-D-2
JXWBHX-D-1900-2500-23-60	1.9-2.5	70	0.3	23	1.20	10/60	5/30	Drop In	25.4x25.4x6.8	HX-D-1/HX-D-2
JXWBHX-D-2500-4600-23-30	2.5-4.6	200	0.3	23	1.20	30	20	Drop In	18x25x10	HX-D-1/HX-D-2
JXWBHX-D-4500-7600-20-20	4.5-7.6	400	0.3	20	1.20	20	10	Drop In	16x18x8.6	HX-D-1/HX-D-2
JXWBHX-D-7500-12000-20-10	7.5-12	600	0.3	20	1.20	10	5	Drop In	13x17x8.6	HX-D-1/HX-D-2
JXWBHX-D-12000-18000-20-10	12-18	400	0.3	20	1.20	10	5	Drop In	9x14x7.8	HX-D-1/HX-D-2
JXWBHX-D-12000-18000-20-10	12-18	600	0.3	20	1.20	10	5	Drop In	11x14x8.6	HX-D-1/HX-D-2
JXWBHX-D-950-1220-20-150	0.95-1.22	FULL	0.4	20	1.20	150	60	Drop In	25.4x25.4x15	HX-D-1
JXWBHX-D-1350-1850-20-60	1.35-1.85	FULL	0.4	20	1.25	60	30	Drop In	25x30x13	HX-D-1
JXWBHX-D-1500-1900-20-30	1.5-1.9	FULL	0.4	20	1.25	30	20	Drop In	20x20x10	HX-D-1
JXWBHX-D-2000-4000-18-100	2.0-4.0	FULL	0.6	18	1.35	100	50	Drop In	30.5x30.5x19	HX-D-1
JXWBHX-D-2500-3000-23-150	2.5-3.0	FULL	0.3	23	1.15	150	60	Drop In	25.4x25.4x15	HX-D-1
JXWBHX-D-3000-4000-20-150	3.0-4.0	FULL	0.4	20	1.25	150	60	Drop In	25.4x25.4x15	HX-D-1
JXWBHX-D-3000-6000-18-100	3.0-6.0	FULL	0.6	18	1.35	100	50	Drop In	30.5x30.5x19	HX-D-1
JXWBHX-D-4000-8000-17-50	4.0-8.0	FULL	0.6	17	1.40	50	20	Drop In	19x19x13	HX-D-1
JXWBHX-D-8000-12000-20-20	8.0-12.0	FULL	0.5	20	1.25	20	5	Drop In	11x14x13	HX-D-1
JXWBHX-D-12000-18000-18-20	12.0-18.0	FULL	0.6	18	1.30	20	5	Drop In	11x14x13	HX-D-1

Notes:

1. Operating Temperature: -40 °C to +85 °C



HX-D-1

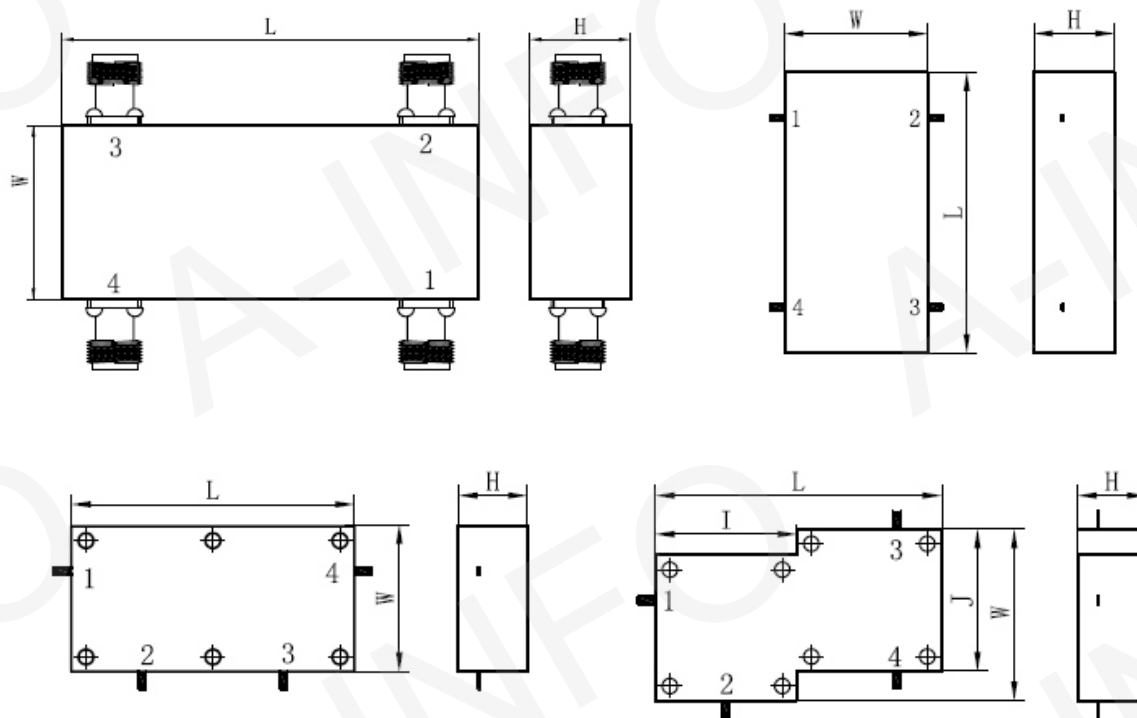


HX-D-2

Isolator and Circulator

Coaxial & Drop-In

Four Ports Circulator



Circulator Features:

1. Frequency Range: 0.3 ~ 18GHz
2. Small Size
3. Low Insertion Loss
4. Low Voltage Standing Wave Ratio(VSWR)
5. High Isolation
6. Good Phase Consistency
7. Stability and Reliability
8. High Power Handling

Notes:

1. Customization is available
2. Outline drawing above is for reference.