

## Coupler



Surface Mount

S2

5 to 1000MHz

P/N	Freq. Range (MHz) $f_L$ - $f_U$	Coupling (dB)		Mainline Loss (dB)			Directivity (dB)			VSWR	Power Input (W)	Case
		Typ	Flatness	L	M	U	L	M	U			
				Typ/Max	Typ/Max	Typ/Max	Typ/Min	Typ/Min	Typ/Min			
JXWBOH-S-5-400-6.5	5-400	6.5±0.5	±0.5	1.6/2.0	1.7/2.4	2.0/2.4	35/30	25/20	20/15	1.25	0.5	S2
JXWBOH-S-5-700-12.7	5-700	12.7±0.5	±0.6	1.0/1.5	1.0/1.5	1.0/1.5	20/15	20/15	20/15	1.25	0.2	S2
JXWBOH-S-5-1000-12.7	5-1000	12.7±0.6	±1.0	1.0/1.5	1.0/1.5	1.5/1.8	20/18	20/18	20/18	1.25	0.5	S2

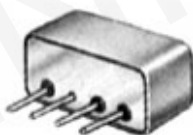
**Notes:**

1. Operating Temperature : -40 °C to +80 °C. Storage Temperature : -55 °C to +85 °C.
2. L=low range [ $f_L$  to  $10 f_L$ ]    M=mid range [ $10 f_L$  to  $f_U/2$ ]    U=upper range [ $f_U/2$  to  $f_U$ ]

## Coupler



A1



B2



E

Plug-in

1 to 2000MHz

P/N	Freq. Range (MHz) $f_L$ - $f_U$	Coupling (dB)		Mainline Loss (dB)			Directivity (dB)			VSWR	Power Input (W)	Case
		Typ	Flatness	L	M	U	L	M	U			
				Typ/Max	Typ/Max	Typ/Max	Typ/Min	Typ/Min	Typ/Min			
JXWBOH-A-1-400-11.5	1-400	11.5±0.5	±0.5	0.6/0.9	0.8/1.1	0.9/1.3	50/35	35/20	20/15	1.2	1.0	A1
JXWBOH-A-250-1000-10.5	250-1000	10.5±0.5	±0.6	1.0/1.5	1.5/1.8	1.6/2.0	35/25	30/20	25/15	1.5	1.0	A1
JXWBOH-A-1-2000-10.5	1-2000	10.5±0.5	±1.0	1.2/1.9	1.3/1.9	2.0/2.5	35/25	30/20	20/18	1.3	0.5	A1
JXWBOH-A-10-700-19	10-700	19±0.5	±0.5	0.3/0.5	0.4/0.7	0.7/1.1	35/30	25/20	25/20	1.4	1.0	A1
JXWBOH-B-10-400-6.3	10-400	6.3±0.4	±0.4	2.0/2.4	2.0/2.4	2.0/2.5	35/30	30/25	20/15	1.5	1.0	B2
JXWBOH-B-1-400-10	1-400	10±0.5	±0.5	0.9/1.3	0.7/1.0	0.9/1.3	30/25	30/25	20/15	1.2	1.0	B2
JXWBOH-B-5-1000-11	5-1000	11±0.5	±0.6	1.4/1.8	1.5/1.8	1.6/2.0	50/35	25/20	20/15	1.5	0.5	B2
JXWBOH-E-10-800-8	10-800	8±0.5	±0.5	1.6	1.5	1.6	25	20	15	1.5	0.5	E
JXWBOH-E-10-800-12.7	10-800	12.7±0.5	±0.5	1.4	1.4	1.4	25	20	20	1.5	0.5	E
JXWBOH-E-10-800-20	10-800	20±0.5	±0.5	0.25/0.5	0.4/0.7	0.7/1.2	35/30	25/20	22/20	1.5	0.5	E

### Notes:

- Operating Temperature : -40 °C to +80 °C. Storage Temperature : -55 °C to +85 °C.
- L=low range [ $f_L$  to  $10 f_L$ ]    M=mid range [ $10 f_L$  to  $f_U/2$ ]    U=upper range [ $f_U/2$  to  $f_U$ ]

## Coupler



T14



T39

Coaxial

1 to 2500MHz

P/N	Freq. Range (MHz) f <sub>L</sub> -f <sub>U</sub>	Coupling (dB)		Mainline Loss (dB)			Directivity (dB)			VSWR	Power Input (W)	Case
		Typ	Flatness	L Typ/Max	M Typ/Max	U Typ/Max	L Typ/Min	M Typ/Min	U Typ/Min			
JXWBOH-T-1-1000-15	1-1000	15±0.5	±0.5	0.5/1.4	0.8/1.2	1.0/1.4	35/30	30/25	25/15	1.2	3.0	T12-3
JXWBOH-T-500-1000-10	500-1000	10±1.0	±0.5	-	0.5	-	-	20	-	1.2	10	T44
JXWBOH-T-500-1000-20	500-1000	20±1.0	±0.5	-	0.5	-	-	20	-	1.2	10	T44
JXWBOH-T-1000-2000-10	1000-2000	10±1.0	±0.5	-	0.5	-	-	20	-	1.25	10	T44
JXWBOH-T-500-2000-7	500-2000	7±1.0	±0.5	-	0.5	-	-	18	-	1.2	4	T40
JXWBOH-T-500-2000-16	500-2000	16±1.0	±0.5	-	0.5	-	-	20	-	1.2	20	T40
JXWBOH-T-800-2500-10-1	800-2500	10±1.0	±0.75	-	0.5	-	-	15	-	1.2	10	T40
JXWBOH-T-2200-2600-20	2200-2600	20±1.0	±0.5	-	0.5	-	-	20	-	1.2	10	T39
JXWBOH-T-1000-2000-7	1000-2000	7±1.0	±1.0	-	0.8	-	-	10	-	1.3	5	T34
JXWBOH-T-1000-2000-10	1000-2000	10±1.0	±1.0	-	0.8	-	-	10	-	1.3	5	T34
JXWBOH-T-1000-2000-20	1000-2000	20±1.0	±1.0	-	0.8	-	-	10	-	1.2	10	T34
JXWBOH-T-1000-2000-25	1000-2000	25±1.0	±0.75	-	0.8	-	-	10	-	1.2	10	T34

**Notes:**

- Operating Temperature : -40 °C to +80 °C. Storage Temperature : -55 °C to +85 °C.
- L=low range [f<sub>L</sub> to 10 f<sub>L</sub> ]    M=mid range [10 f<sub>L</sub> to f<sub>U</sub>/2]    U=upper range[f<sub>U</sub>/2 to f<sub>U</sub>]

## Coupler



Coaxial

### Ultra-Broadband Directional Coupler (SMA Connectors)

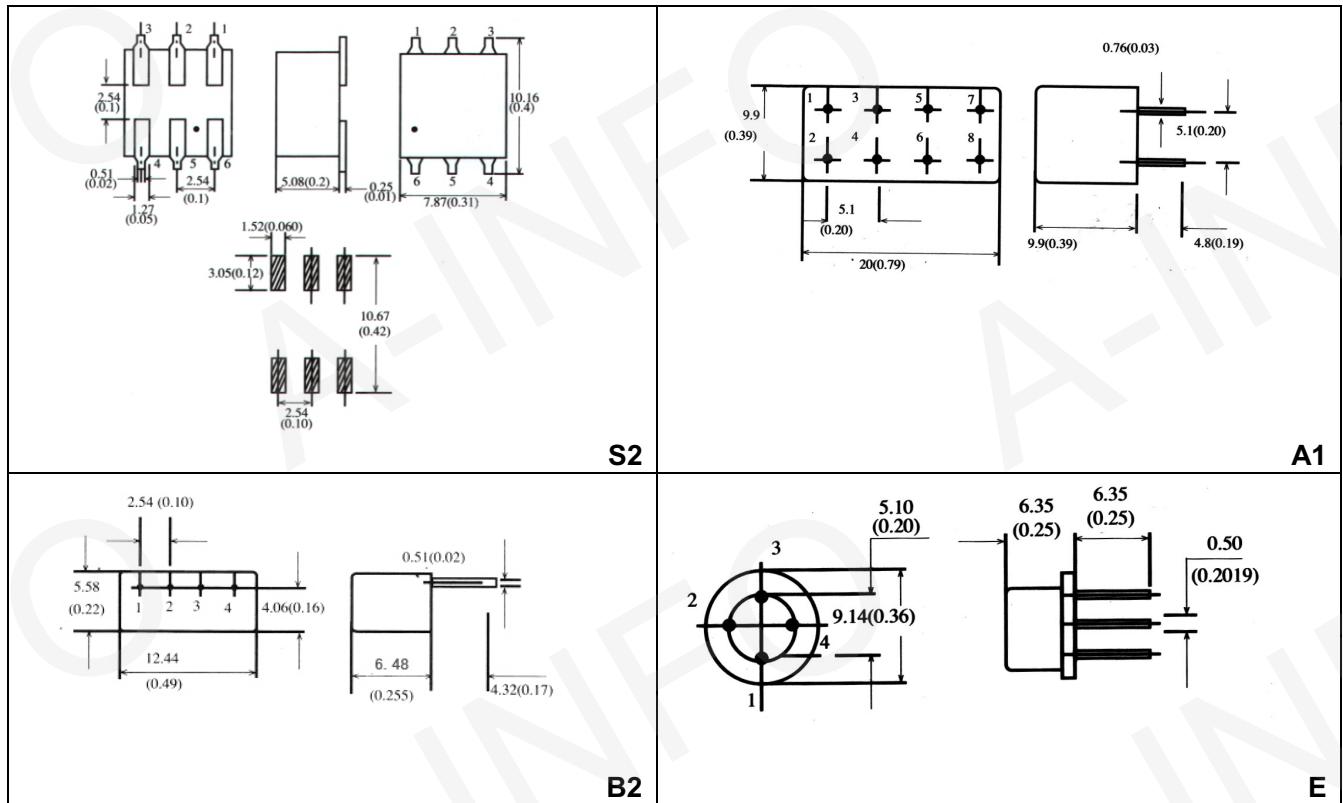
P/N	Frequency Range (GHz)	Insertion Loss (dB) max	Coupling (dB)	Directivity (dB) min	VSWR max	Power Handling (W) CW	Frequency Sensitivity (dB) max	Case
JXWBOH-T-500-2000-6	0.5-2	0.5	6±1.0	20	1.2	4/50*	±0.7	OH-T-6
JXWBOH-T-500-2000-10	0.5-2	0.5	10±1.0	20	1.2	10/50*	±0.7	OH-T-6
JXWBOH-T-500-2000-20	0.5-2	0.4	20±1.0	20	1.2	50	±0.7	OH-T-6
JXWBOH-T-500-2000-30	0.5-2	0.4	30±1.0	20	1.2	50	±0.7	OH-T-6
JXWBOH-T-800-2500-6-1	0.8-2.5	0.5	6±1.0	20	1.2	4/50*	±0.7	OH-T-4
JXWBOH-T-800-2500-10-2	0.8-2.5	0.5	10±1.0	20	1.2	10/50*	±0.7	OH-T-4
JXWBOH-T-800-2500-20-1	0.8-2.5	0.4	20±1.0	20	1.2	50	±0.7	OH-T-4
JXWBOH-T-800-2500-30-1	0.8-2.5	0.4	30±1.0	20	1.2	50	±0.7	OH-T-4
JXWBOH-T-1000-4000-6	1-4	0.5	6±1.0	20	1.2	4/50*	±0.7	OH-T-3
JXWBOH-T-1000-4000-10	1-4	0.5	10±1.0	20	1.2	10/50*	±0.7	OH-T-3
JXWBOH-T-1000-4000-20	1-4	0.4	20±1.0	20	1.2	50	±0.7	OH-T-3
JXWBOH-T-1000-4000-30	1-4	0.4	30±1.0	20	1.2	50	±0.7	OH-T-3
JXWBOH-T-2000-8000-6	2-8	0.5	6±1.0	20	1.2	4/50*	±1.0	OH-T-2
JXWBOH-T-2000-8000-10	2-8	0.5	10±1.0	20	1.2	10/50*	±1.0	OH-T-2
JXWBOH-T-2000-8000-20	2-8	0.4	20±1.0	20	1.2	50	±1.0	OH-T-2
JXWBOH-T-2000-8000-30	2-8	0.4	30±1.0	20	1.2	50	±1.0	OH-T-2
JXWBOH-T-2000-18000-10	2-18	1.5	10±1.0	12	1.6	10/50*	±1.0	OH-T-5
JXWBOH-T-2000-18000-20	2-18	1.2	20±1.0	10	1.6	50	±1.0	OH-T-5
JXWBOH-T-4000-18000-10	4-18	0.8	10±1.0	12	1.5	10/50*	±1.0	OH-T-1
JXWBOH-T-4000-18000-20	4-18	0.8	20±1.0	12	1.5	50	±1.0	OH-T-1

Notes:

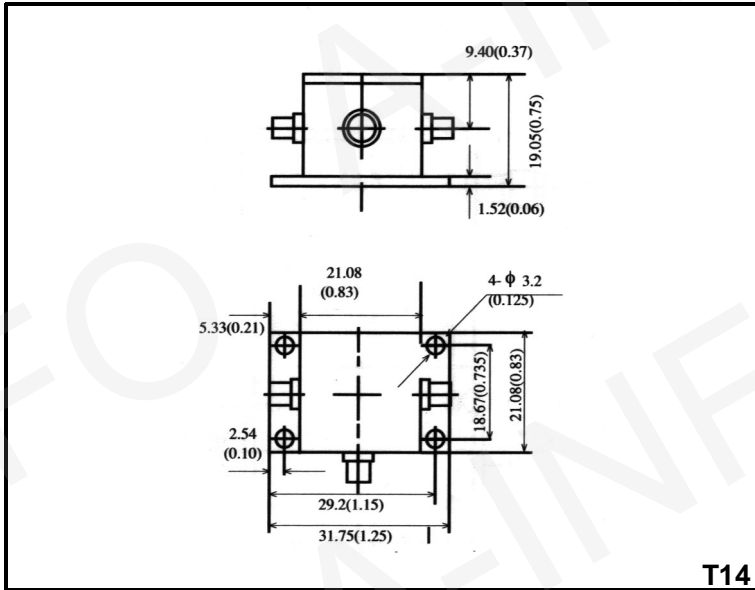
1. Operating Temperature: -55 °C to +85 °C, Storage Temperature: -55 °C to +95 °C.
2. Applications: Indoor, 0-95%RH.
3. A/B\*: Power handling A is viable when there is complete reflection from the output, power handling will be B when the output is matched of load VSWR<1.5(A=4W or 10W, B=50W)
4. Insertion Loss does not include the intrinsic loss caused coupling. Different coupling, different coupling loss. The coupling loss can be neglected when the coupling is more than 20dB.

## Coupler

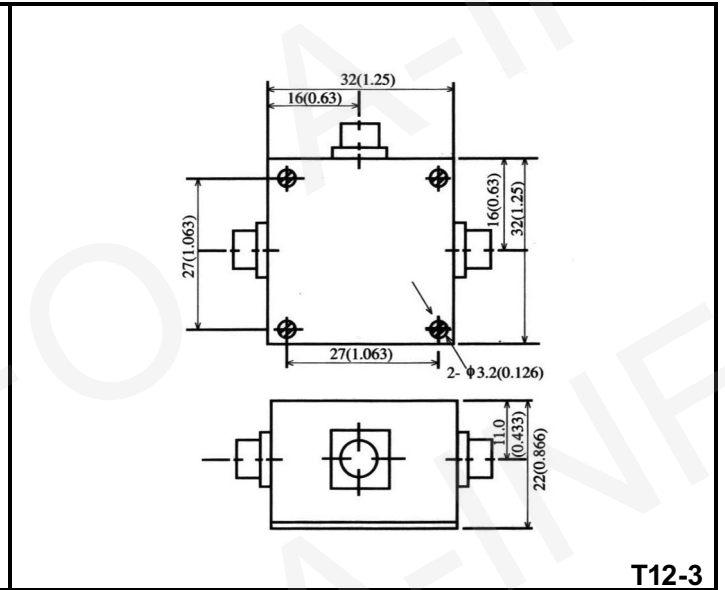
Outline Drawings(Size: mm)



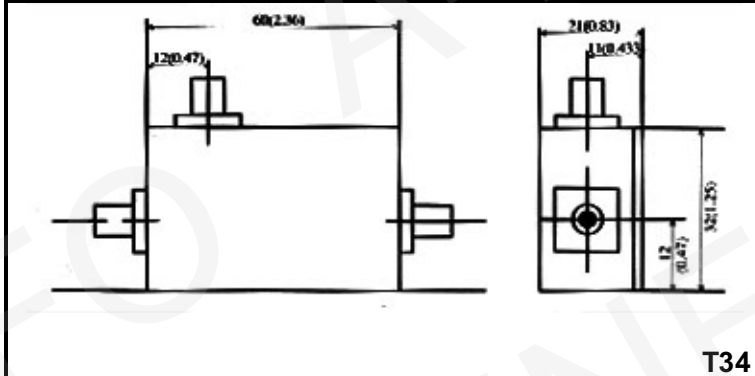
## Coupler



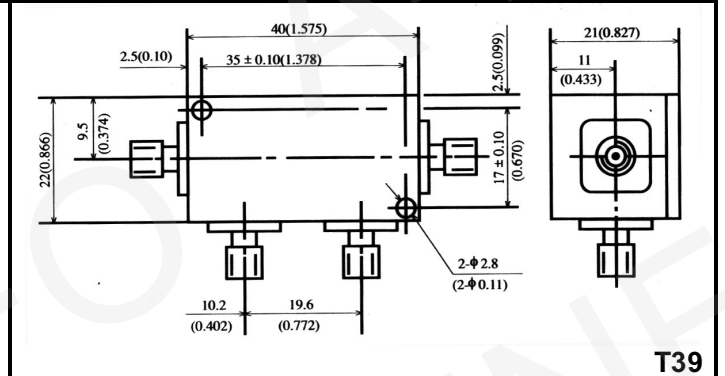
T14



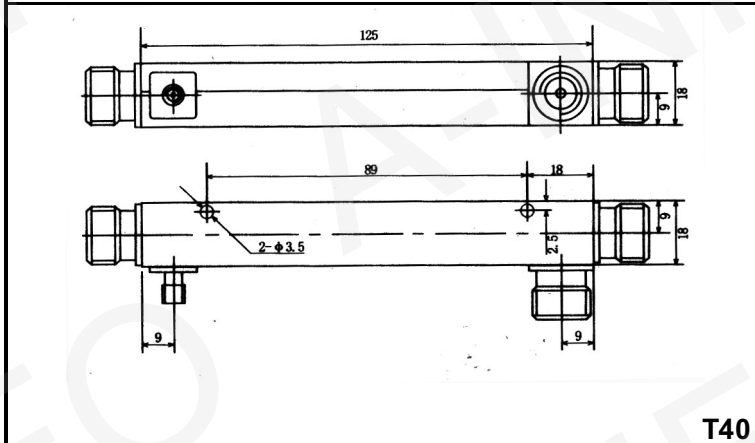
T12-3



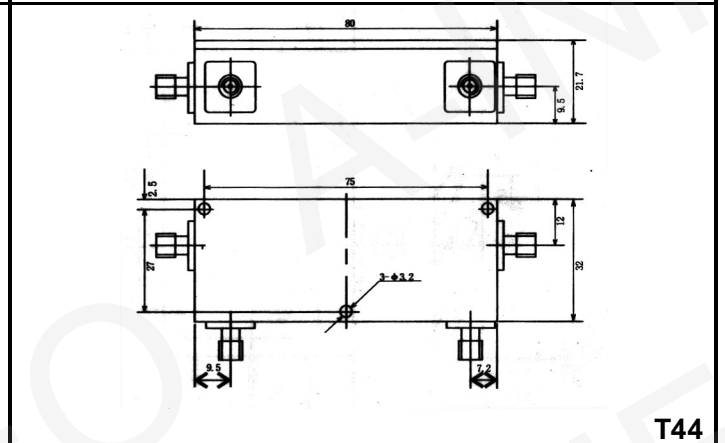
T34



T39



T40



T44

## Coupler

